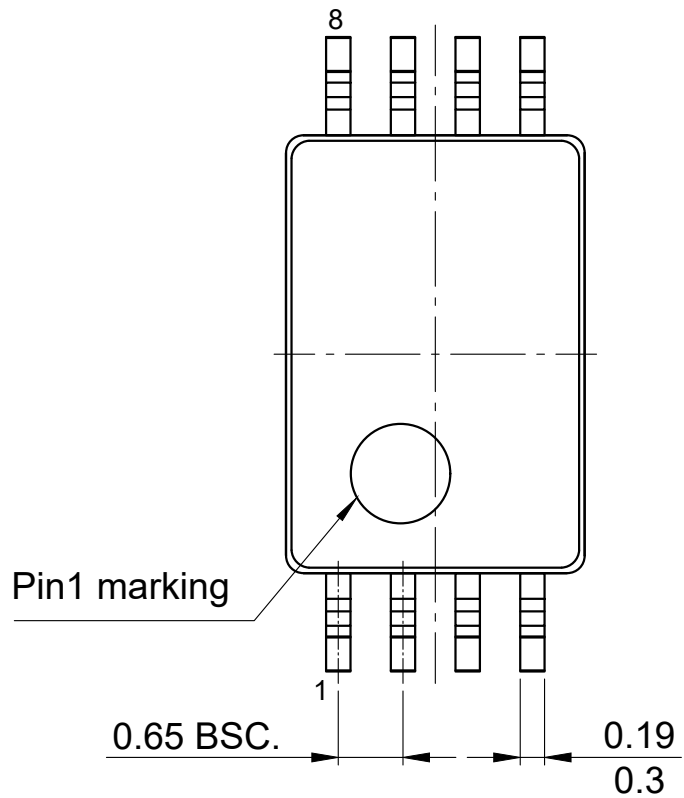
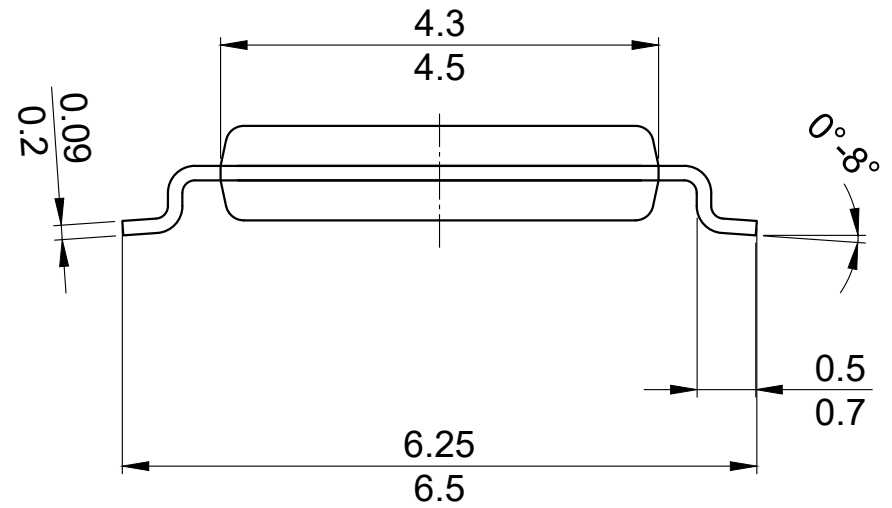
 0.076  
Seating plane



All dimensions are in units mm  $\frac{\text{min.}}{\text{max.}}$

The drawing is in compliance with ISO 128-30, Projection Method 1 [