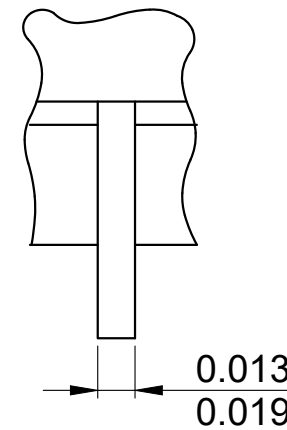
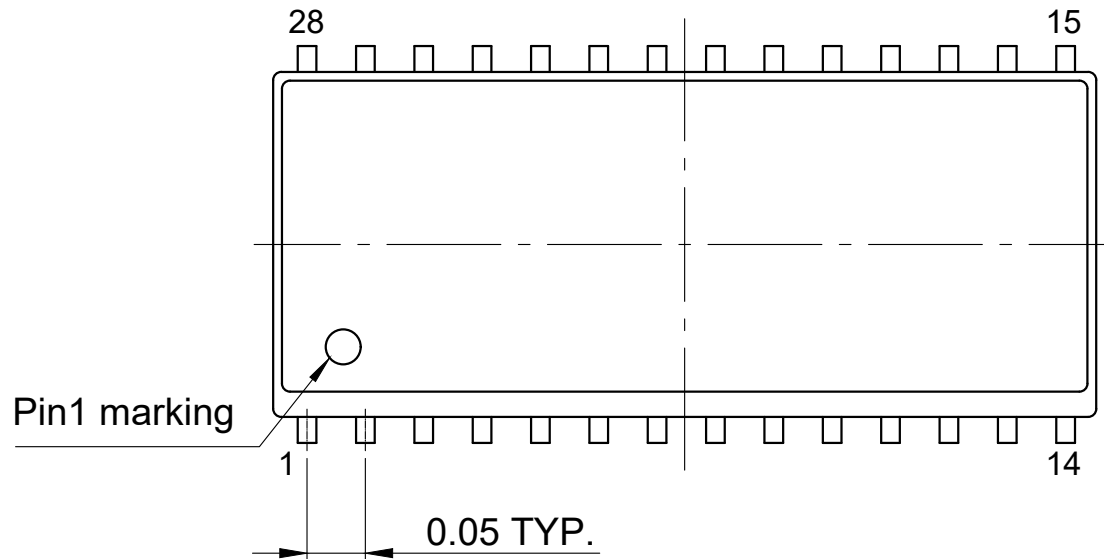
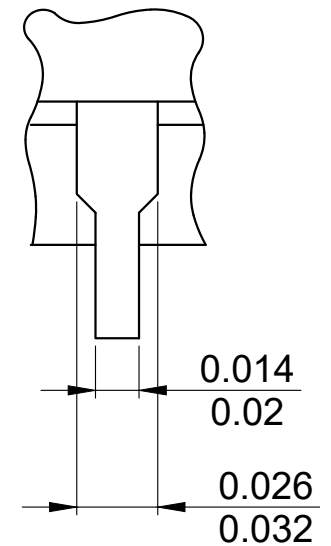


Detail A
External lead design

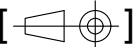


Option 1



Option 2

All dimensions are in units inches $\frac{\text{min.}}{\text{max.}}$

The drawing is in compliance with ISO 128-30, Projection Method 1 []