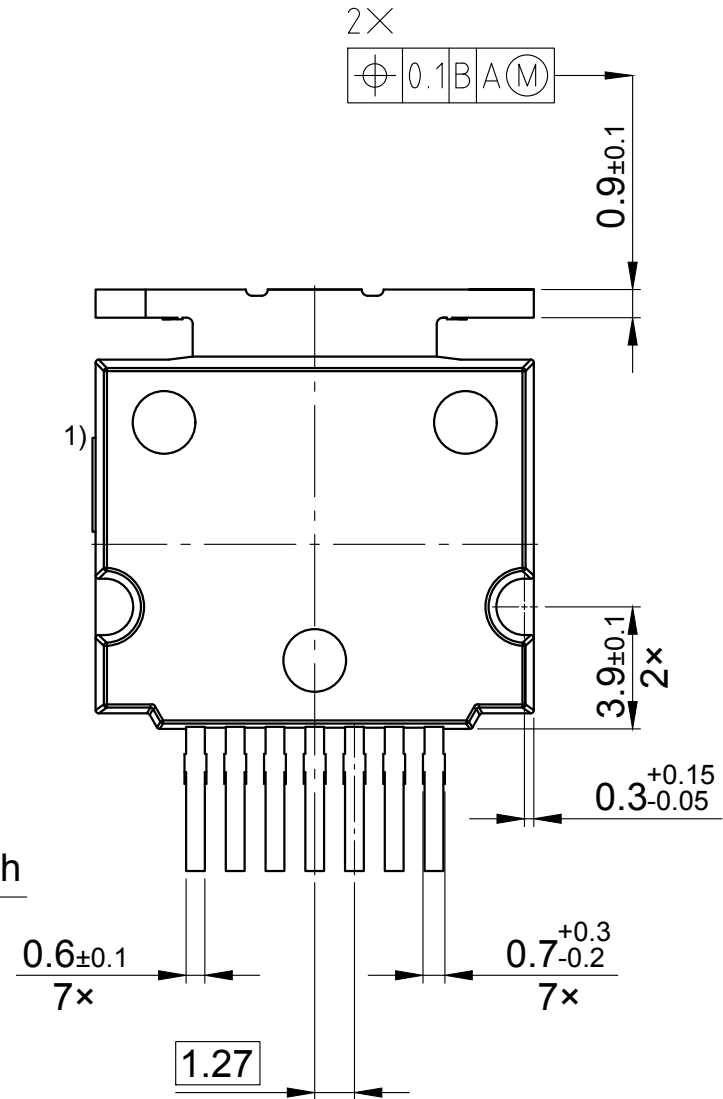
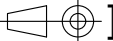


Bottom view



1) Does not include plastic protrusion of 0.1mm max. per side.

All dimensions are in units mm

The drawing is in compliance with ISO 128-30, Projection Method 1 []

Drawing according to ISO 8015, general tolerances ISO 2768-mK