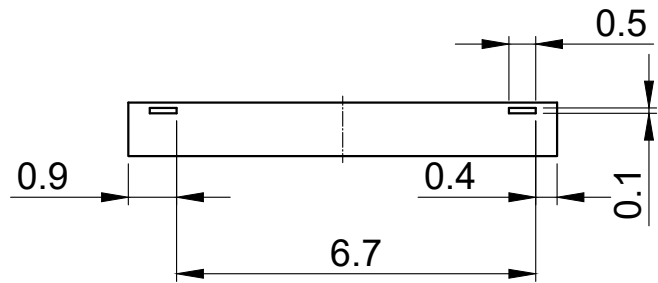
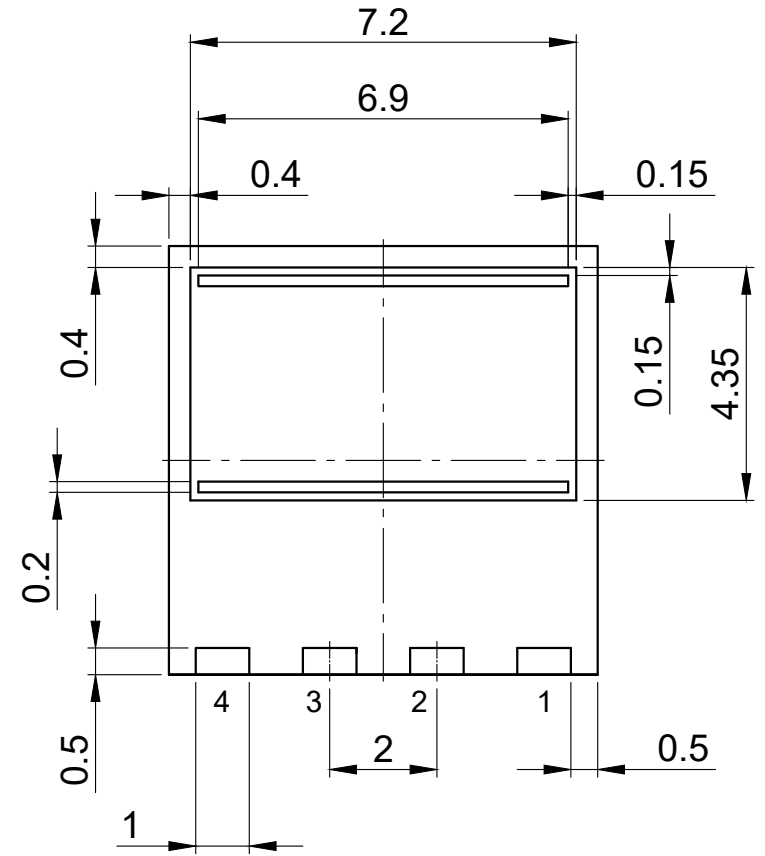



Bottom view



All dimensions are in units mm

The drawing is in compliance with ISO 128-30, Projection Method 1 [  ]

Drawing according to ISO 8015, general tolerances  $\pm 0.1$ ,  $\pm 1^\circ 30'$