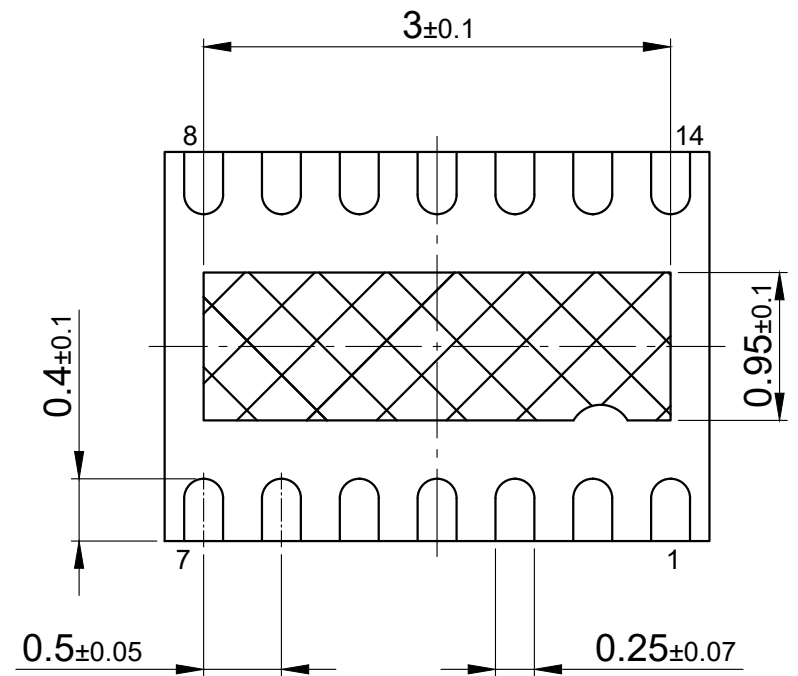
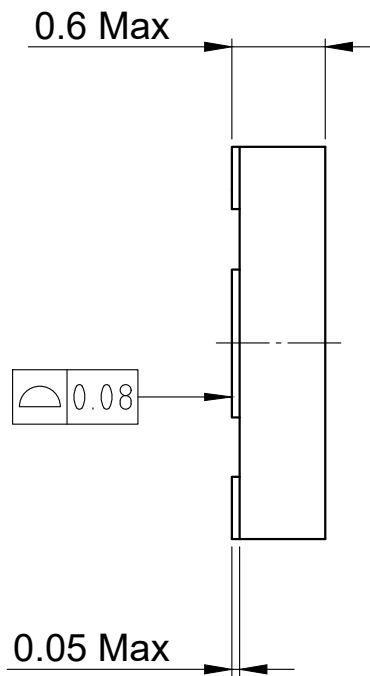
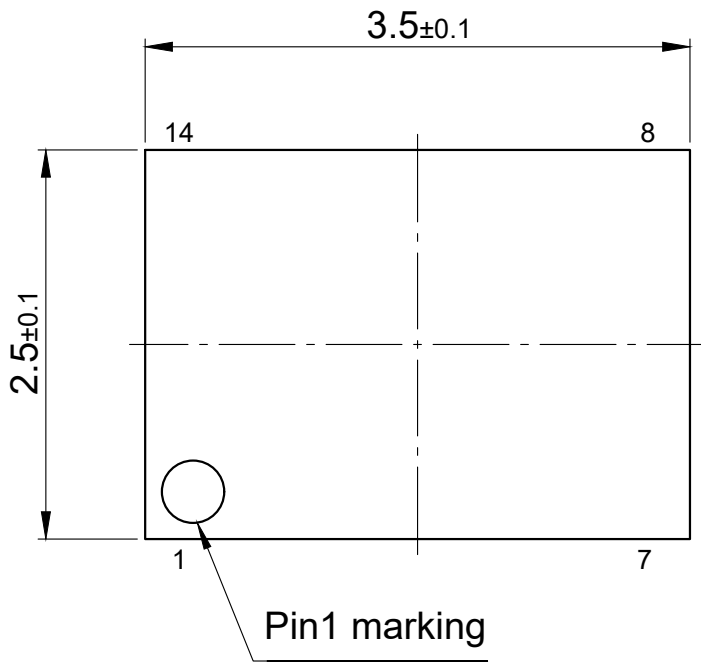
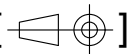


Bottom view



⊠ Hatch area is solderable exposed metal.

All dimensions are in units mm

The drawing is in compliance with ISO 128-30, Projection Method 1 []