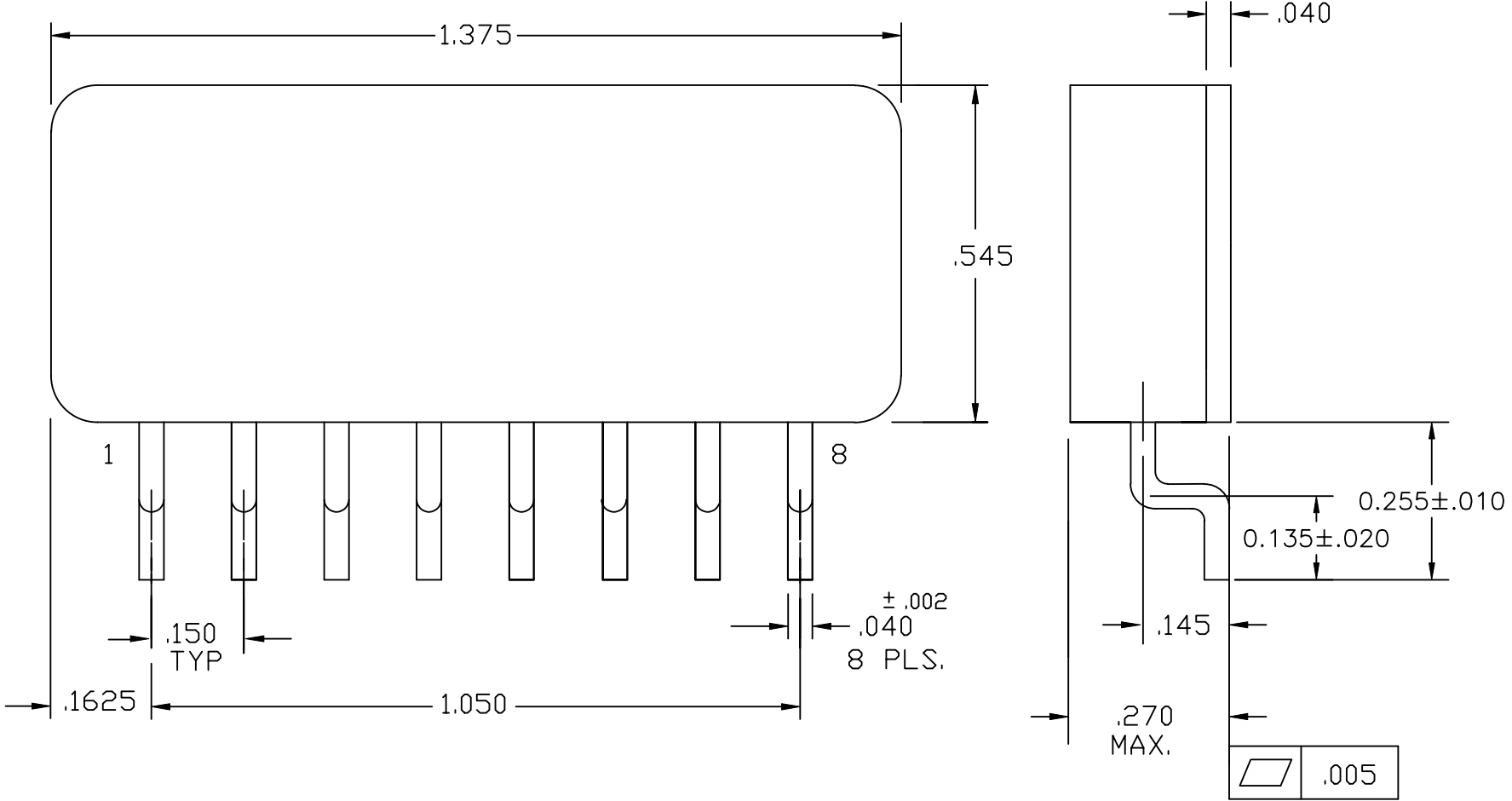


REV.	DESCRIPTION	ECN	DATE
D	CHANGE PER ECN	1120_08958	1-27-22



NOTES:  
 1. STANDARD FINAL FINISH ON ALL TERMINALS IS  
 SOLDER ALLOY 63%Sn 37%Pb.



TITLE: CASE OUTLINE: 8 PIN SM	
DRAWING NO. D100700G-WEB	REV D