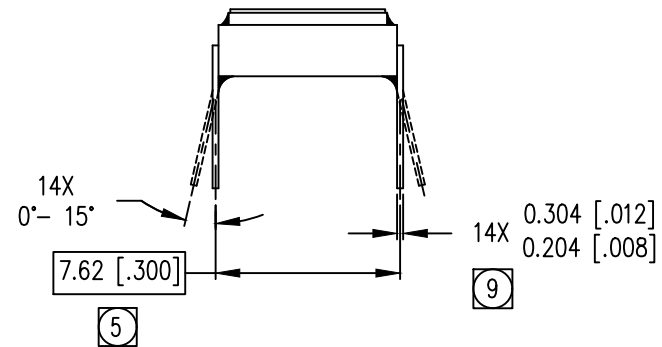
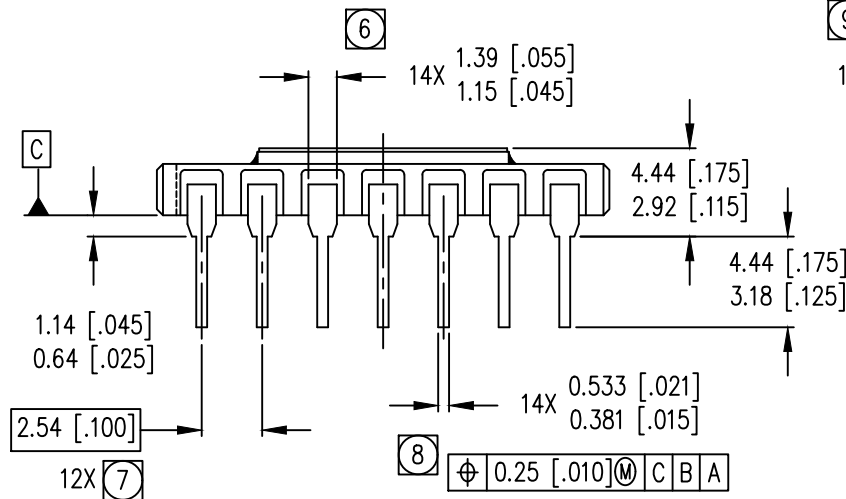
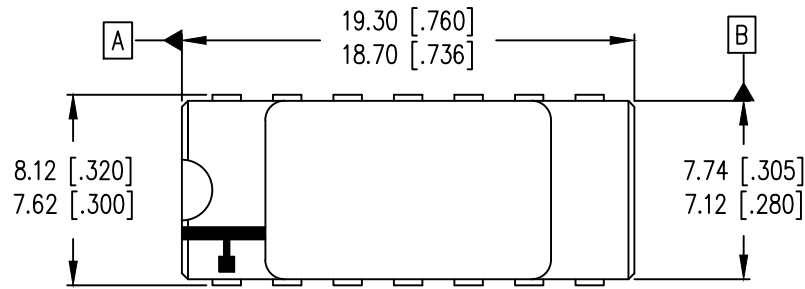


| REV. | DESCRIPTION     | ECN         | DATE   |
|------|-----------------|-------------|--------|
| B    | INITIAL RELEASE | 1120_ER6904 | 4-3-20 |

NOTES:

1. DIMENSIONING & TOLERANCING PER ASME Y14.5M-1994.
2. CONTROLLING DIMENSION: INCH.
3. DIMENSIONS ARE SHOWN IN MILLIMETERS [INCHES].
4. OUTLINE CONFORMS TO JEDEC OUTLINE MO-036AB.
- ⑤ MEASURED WITH THE LEADS CONSTRAINED TO BE PERPENDICULAR TO DATUM PLANE C.
- ⑥ MEASURE THIS DIMENSION 2 TIMES PER SIDE.
- ⑦ MEASURE THIS DIMENSION 2 TIMES PER SIDE.
- ⑧ MEASURE THIS DIMENSION 2 TIMES PER SIDE.
- ⑨ MEASURE THIS DIMENSION 1 TIME PER SIDE.
10. STANDARD FINAL FINISH ON ALL TERMINALS IS SOLDER ALLOY 63%Sn 37%Pb.



**IOR** HiRel  
An Infineon Technologies Company

TITLE:  
CASE OUTLINE: MO-036AB CIC

DRAWING NO.  
D100750G-WEB

REV B