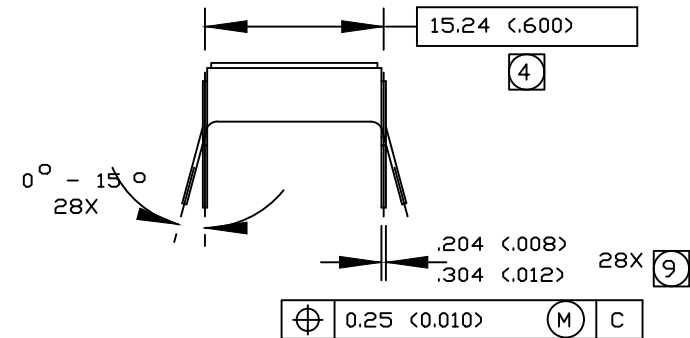
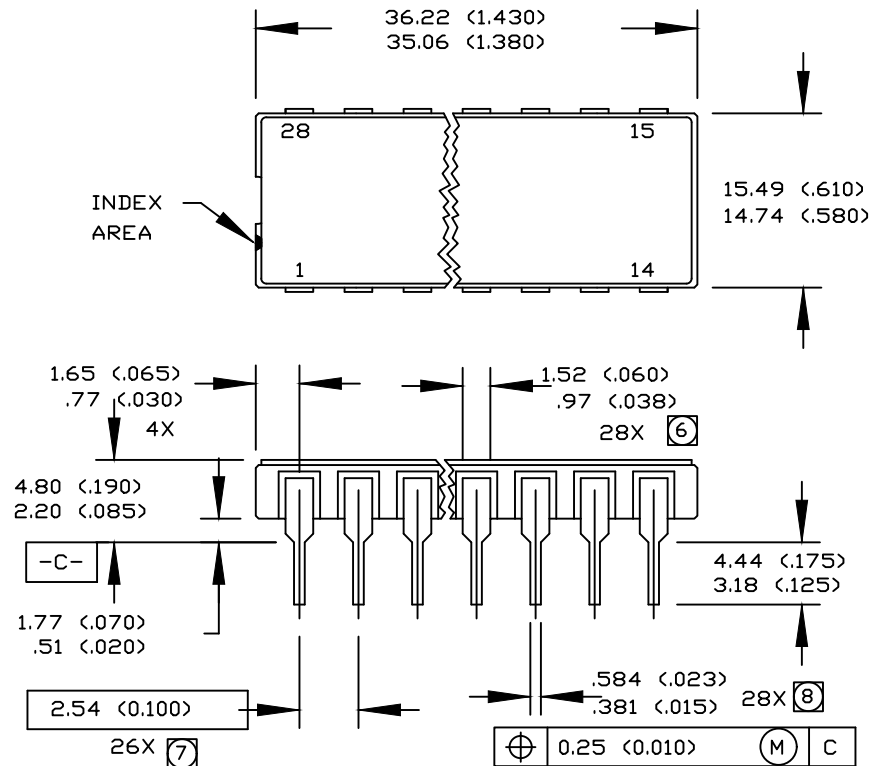


REV.	DESCRIPTION	ECN	DATE
B	INITIAL RELEASE	1120_ER6904	4-3-20



NOTES:

- 1 DIMENSIONING & TOLERANCING PER ANSI Y14.5M, 1982.
- 2 CONTROLLING DIMENSION : INCH.
- 3 DIMENSIONS ARE SHOWN IN MILLIMETERS (INCHES).
- 4 DIMENSION IS TO CENTER OF LEADS WHEN FORMED PARALLEL.
- 5 OUTLINE CONFORMS TO JEDEC OUTLINE MO-038AB.

- 6 MEASURE THIS DIMENSION 2 TIMES PER SIDE.
- 7 MEASURE THIS DIMENSION 2 TIMES PER SIDE.
- 8 MEASURE THIS DIMENSION 2 TIMES PER SIDE.
- 9 MEASURE THIS DIMENSION 1 TIME PER SIDE.

10. STANDARD FINAL FINISH ON ALL TERMINALS IS SOLDER ALLOY 63%Sn 37%Pb.

IO HiRel
An Infineon Technologies Company

TITLE: MO-038AB OUTLINE
(28 LEAD)

DRAWING NO.
D100752G-WEB

REV B