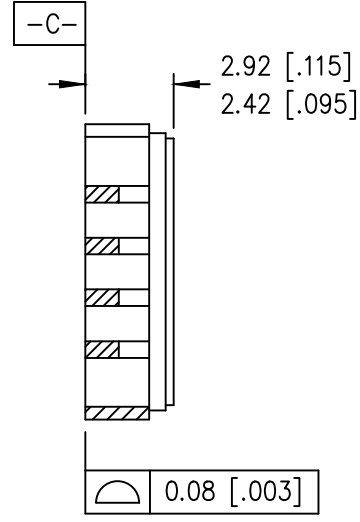
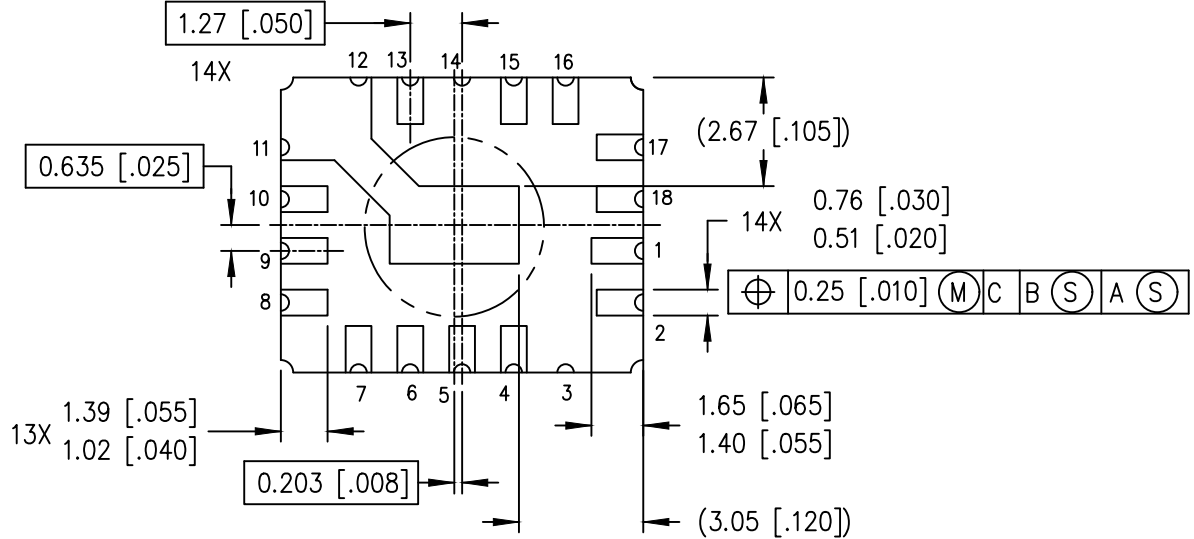
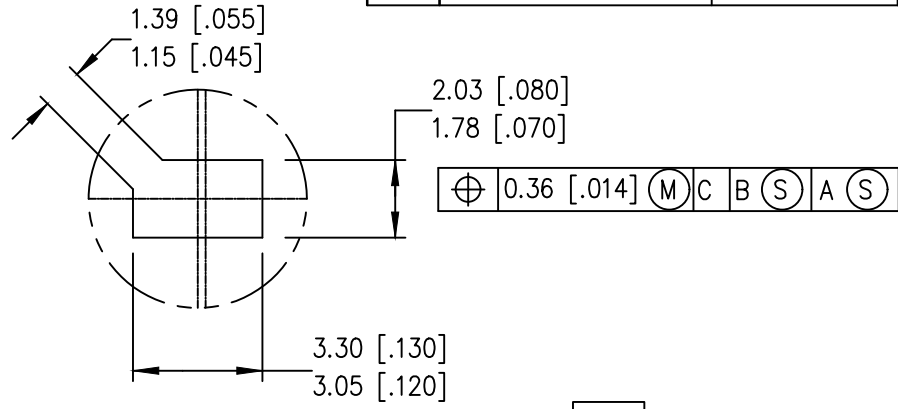
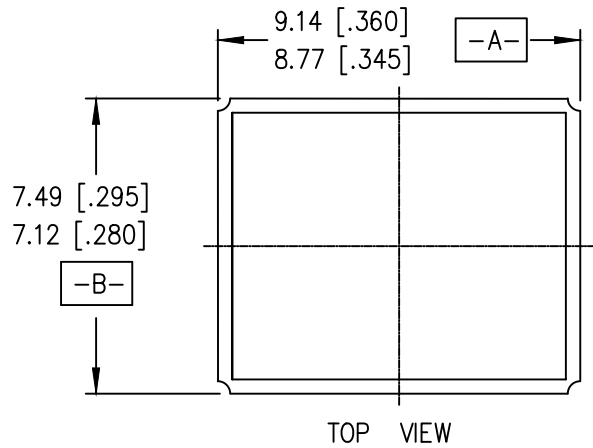


REV.	DESCRIPTION	ECN	DATE
A	INITIAL RELEASE	1120_ER6904	4-3-20



- NOTES:
1. DIMENSIONING & TOLERANCING PER ANSI Y14.5M-1982.
 2. CONTROLLING DIMENSION: INCH.
 3. DIMENSIONS ARE SHOWN IN MILLIMETERS [INCHES].
 4. STANDARD FINAL FINISH ON ALL TERMINALS IS SOLDER ALLOY 63%Sn 37%Pb.

IOR HiRel
An Infineon Technologies Company

TITLE: 18LCC MOSFET PACKAGE OUTLINE	
DRAWING NO. D100802G-WEb	REV A