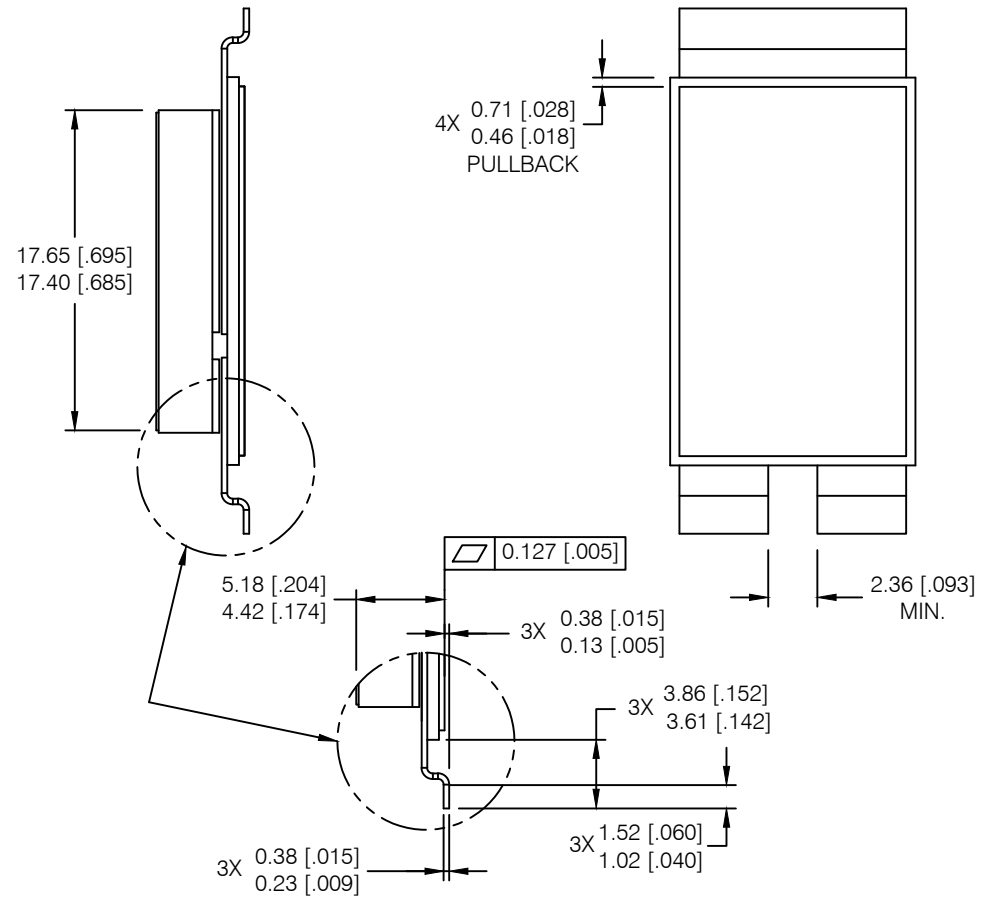
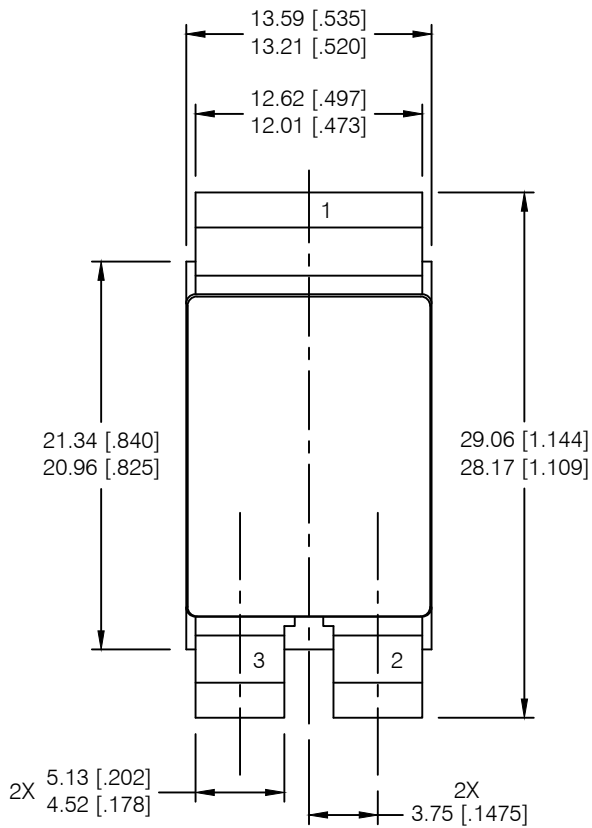


REV.	DESCRIPTION	ECN	DATE
G	CHANGE PER ECN	1120_10135	12-11-24



NOTES:

1. DIMENSIONING & TOLERANCING PER ASME Y14.5M-1994.
2. CONTROLLING DIMENSION: INCH
3. DIMENSIONS ARE SHOWN IN MILLIMETERS [INCHES].
4. STANDARD FINAL FINISH ON ALL TERMINALS IS 100%Au.

IOR HiRel

An Infineon Technologies Company

TITLE: SMD-2, SINGLE CARRIER, OUTLINE	
DRAWING NO. D100781G-WEB	REV G