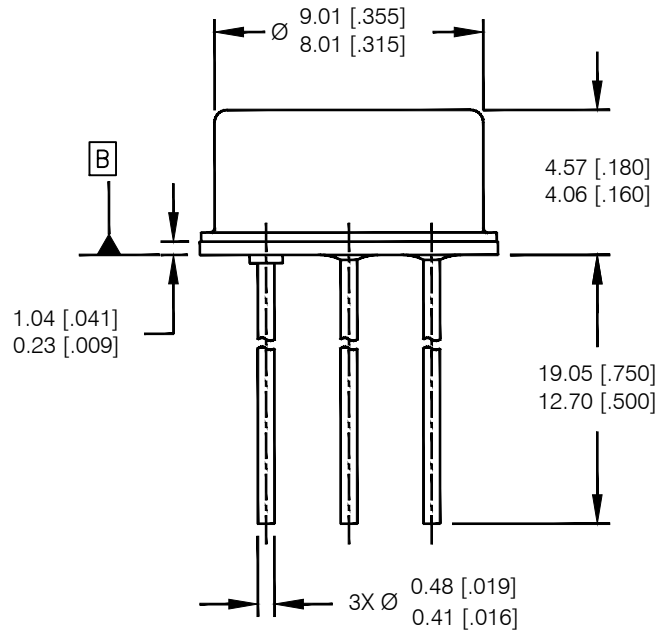
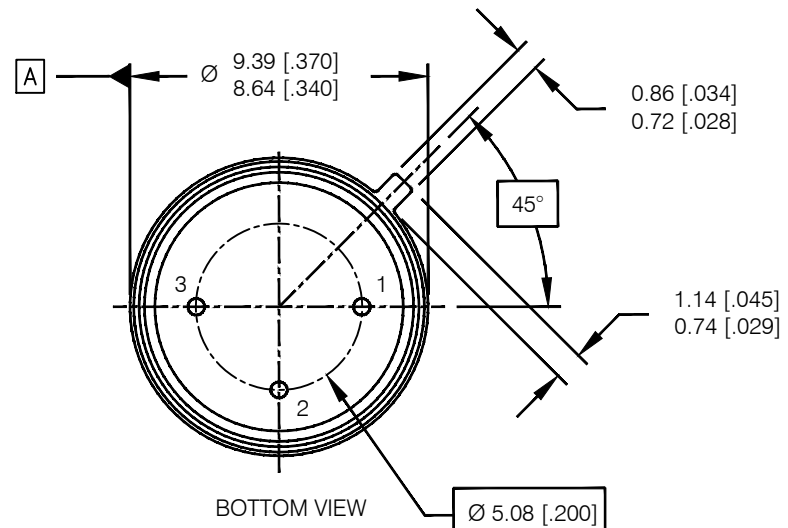


REV.	DESCRIPTION	ECN	DATE
G	INITIAL RELEASE	1120_ER6904	4-3-20



⊕ Ø 0.36 [.014] (M) B A (M)

SIDE VIEW



BOTTOM VIEW

NOTES:

1. DIMENSIONING AND TOLERANCING PER ASME 14.5M-1994.
2. DIMENSIONS ARE SHOWN IN MILLIMETERS [INCHES].
3. CONTROLLING DIMENSION: INCH.
4. CONFORMS TO JEDEC OUTLINE TO-205AF (TO-39).
5. STANDARD FINAL FINISH ON ALL TERMINALS IS SOLDER ALLOY 63%Sn 37%Pb.

IOR HiRel
An Infineon Technologies Company

TITLE: TO-205AF (TO-39) OUTLINE	
DRAWING NO. D100452G-WEB	REV G