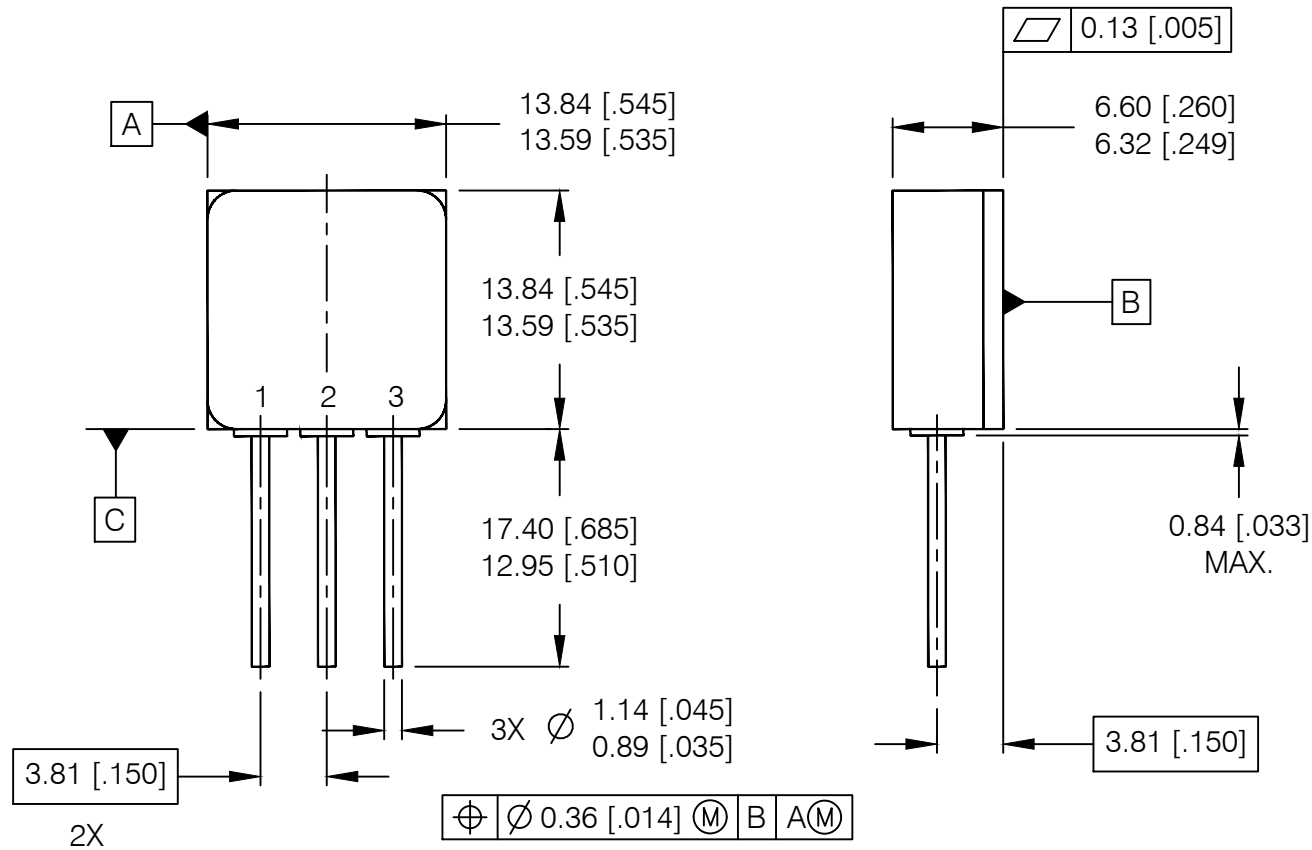


REV.	DESCRIPTION	ECN	DATE
A	INITIAL RELEASE	1120_ER6904	4-3-20



NOTES:

1. DIMENSIONING & TOLERANCING PER ASME Y14.5M-1994.
2. ALL DIMENSIONS ARE SHOWN IN MILLIMETERS [INCHES].
3. CONTROLLING DIMENSION: INCH.
4. THIS OUTLINE IS A MODIFIED TO-254AA JEDEC OUTLINE.
5. FINAL LEAD FINISH IS SOLDER ALLOY 63%Sn 37%Pb.
6. STANDARD FINAL FINISH ON ALL TERMINALS IS SOLDER ALLOY 63%Sn 37%Pb.

IOR HiRel
An Infineon Technologies Company

TITLE: TO-254AA TABLESS
PACKAGE OUTLINE (STD & LOW OHMIC)

DRAWING NO.
D100763G-WEB

REV A