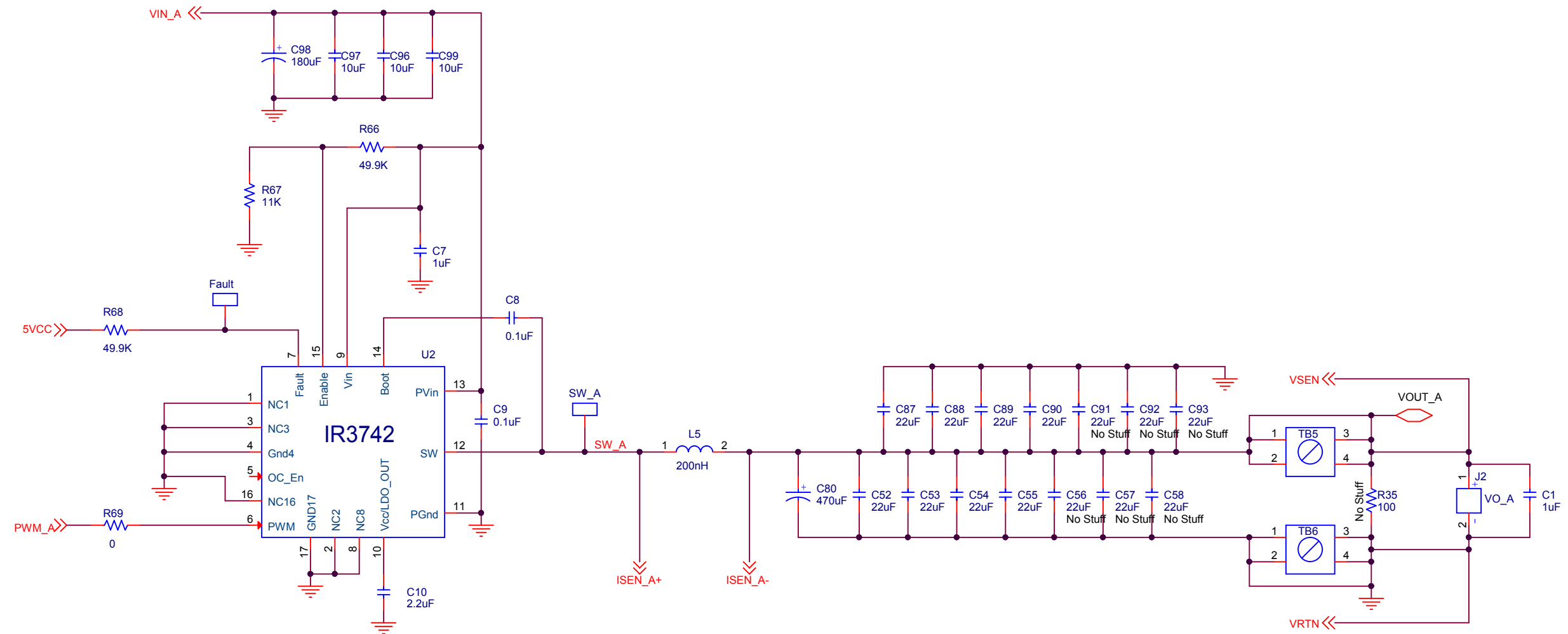



Altera Arria 10 Series  
 10AX16 / 10AS16  
 10AX22 / 10AS22  
 10AX27 / 10AS27  
 GX160 / SX160  
 GX220 / SX220  
 GX270 / SX270

Drawn By: <Drawn By>	Date: 06-Oct-16	
Checked By: <Checked By>	Date: <Check Date>	
Approved By: <Approved By>	Date: <Date>	
Product: IRPS5401		IFX-Drawing Number: EV110-001
Title: Power Schematic for Arria 10 - 20W to 28W Control + Internal SW		Sheet 1 Rev E1



Drawn By:	Date:			
<Drawn By>	06-Oct-16			
Checked By:	Date:			
<Checked By>	<Check Date>			
Approved By:	Date:	IFX Drawing Number:	Sheet	Rev
<Approved By>	<Date>	EV110-001	2	E1

Product: IR3742 External SW on IRPS5401 channel A  
 Title: IRPS5401 + Power Stage - Schematic for Arria 10 - 20W to 28W