

# TriBoard Manual TC3X2

**Hardware: TriBoard TC3X2 TH V1.0 and TriBoard TC3X2 V1.0**

## About this document

### Scope and purpose

The User Manual provide information about using, configuration and connecting the TriBoard with Infineon AURIX™ TC3X2 TQFP device (0.4mm pitch). The manual provide information for different hardware types. There exist different hardware with Through Hole socket (TriBoard TC3X2 TH) and soldered devices (TriBoard TC3X2). The schematic is identically for the all boards if not other mentioned in chapter schematic. The placing on the boards is the same, all components are on the same location.

### Intended audience

Design, verification, test and software engineers will use this document to get an understanding of the functionality and connections of the TriBoard.

## Table of Contents

	<b>About this document</b> .....	<b>Preface-1</b>
	<b>Table of Contents</b> .....	<b>TOC-2</b>
<b>1</b>	<b>Introduction</b> .....	<b>1-1</b>
<b>2</b>	<b>Features</b> .....	<b>2-1</b>
2.1	Summary of Features .....	2-1
2.2	Block Diagram .....	2-2
2.3	Placement .....	2-3
<b>3</b>	<b>TriBoard Information</b> .....	<b>3-1</b>
3.1	Soldered board .....	3-1
3.2	Socketed board .....	3-1
3.2.1	Usable devices .....	3-1
3.2.2	Restricted usable devices .....	3-1
3.3	Power Supply .....	3-1
3.3.1	Failsafe handling .....	3-2
3.4	LEDs .....	3-2
3.5	Clock .....	3-3
3.6	USB Connector .....	3-3
3.6.1	Serial Connection to PC .....	3-3
3.6.2	miniWiggler JDS .....	3-4
3.7	FlexRay™ (E-RAY) .....	3-4
3.8	Serial EEPROM .....	3-4
3.9	MultiCAN .....	3-4
3.10	LIN .....	3-4
3.11	ADC .....	3-5
3.12	Other peripherals .....	3-7
3.13	Toggle LED's .....	3-7
3.14	Buttons .....	3-7
3.15	Debug System .....	3-7
3.15.1	OCDS1 .....	3-7
3.15.2	DAP .....	3-7
3.15.3	DAP_SCR .....	3-7
3.15.4	High speed with DAP .....	3-8
3.15.5	ETK connector (optional) .....	3-8
3.15.6	EmW Power (optional) .....	3-8
<b>4</b>	<b>TriBoard Configuration</b> .....	<b>4-1</b>
4.1	HW Boot Configuration .....	4-1
4.1.1	Default Pad State .....	4-1
4.1.2	Bootmode .....	4-1
4.2	Assembly Options .....	4-2
4.2.1	General optional resistors .....	4-2
4.2.2	Resistors for peripherals .....	4-4
<b>5</b>	<b>Signal (on board used) Description</b> .....	<b>5-1</b>
5.1	Power Signals .....	5-1
5.2	Reset Signals .....	5-1
5.3	Config Signals .....	5-2
5.4	Clock Signals .....	5-2

**Table of Contents**

5.5	Debug Signals .....	5-2
5.6	Peripheral Signals .....	5-2
<b>6</b>	<b>Connector Pin Assignment .....</b>	<b>6-1</b>
6.1	On Board only used signals .....	6-1
6.2	TC3X2 Connector / Top View .....	6-2
6.3	Power connector pinout .....	6-4
6.4	USB connector pinout .....	6-4
6.5	FlexRay™ (ERAY) connector pinout .....	6-4
6.6	CAN connector pinout .....	6-4
6.7	LIN connector pinout .....	6-5
6.8	OCDS1 connector pinout .....	6-5
6.9	DAP connector pinout .....	6-5
6.10	ETK connector pinout .....	6-6
6.11	Ethernet miniWiggler power connector pinout .....	6-6
<b>7</b>	<b>Schematic and Layout .....</b>	<b>7-1</b>
7.1	Known problems .....	7-1
7.1.1	Known problems on TriBoard TC3X2 TH V1.0 .....	7-1
7.1.2	Known problems on TriBoard TC3X2 V1.0 .....	7-1
7.2	Schematic .....	7-1
7.3	Layout .....	7-9
7.4	Layout with Dimensioning .....	7-11

### Introduction

## 1 Introduction

We congratulate you on your purchase of the TriCore™ Evaluation Board. This kit is a versatile tool, providing quick access to the capabilities of TriCore™'s powerful architecture.

Applications can be developed easily. The Evaluation Board is equipped with a variety of memories and peripherals for connection to the environment. There is also an interface for the On Chip Debugging Features (OCDS1 and DAP).

The Evaluation Board allows easily the development of TriCore™ applications with the corresponding tools.

Subsequently, the applications can be downloaded and can be tested with the powerful debugger software.

This TriBoard Hardware Manual familiarizes you with the TriCore™ Evaluation Board and guides you through the initial configuration of the TriBoard.

For detailed technical information about the TC3X2 TQFP (e.g. TC332, TC322) please refer to the User Manual of the used device.

**Features****2 Features****2.1 Summary of Features**

- Infineon's TC3X2 (TC332, TC322) AURIX™ 2G Controller in TQFP-80 Package (0.4mm pitch)
- FlexRay™<sup>1)</sup> Transceivers
- High Speed CAN Transceivers (CAN-FD capable)
- USB to UART bridge
- Serial Eeprom
- LIN Transceiver
- Crystal 20MHz (default) or External Clock
- USB miniWiggler JDS for easy debugging
- 8 Low Power Status LEDs
- 8-DIP switches for configuration
- access to all pins of controller
- 100mm x 160mm (EURO-Board)

**Connectors**

The TC3X2 TriBoard offers a wide variety of connectors:

- Standard power connector
- Micro USB connector for ASC Interface (ASC0) and miniWiggler
- 16-pin header for JTAG interface (OCDS)
- 2 x 10-pin header for DAP and DAP\_SCR
- 10pin (2x5) Header for LIN Transceiver (LIN)
- 2 x 10pin (2x5) Header for CAN High Speed Transceiver (CAN0 and CAN1)
- 2 x 10pin (2x5) Header for FlexRay™ (ERAY-A and ERAY-B)
- four 80-pin connectors (male) + four 80-pin connectors (female) with all I/O signals
- optional ETK connector
- optional 6pin (IEEE1394) Socket for HSCT

**Components**

- Infineon's Multi Voltage Safety Micro Processor Supply TLF35584QV
- Three LEDs to validate power supply (5Volt / 3,3 Volt / 1,25 Volt)
- LED indicating safe state signal 2 from TLF35584
- LED indicating /HDRST (ESR0) active state
- LED indicating activ miniWiggler JDS
- LED switched via DAS software
- 2 x Infineon's FlexRay™ Transceiver TLE9221SX
- 2 x Infineon's High Speed CAN-Transceiver TLE9251VSJ
- Infineon's LIN-Transceiver TLE 7259-3GE
- USB to UART bridge FT2232HL (FTDI)
- 8 general purpose LEDs
- 2K SPI Bus Serial Eeprom (MICROCHIP)
- Reset switch
- Enable switch
- Generic switch

1) FlexRay™ is a trademark of FlexRay Consortium.

Features

- 4-pin Dip switch

Zero Ohm Bridges

Zero Ohm resistors give the flexibility to configure the systems functionality.

2.2 Block Diagram

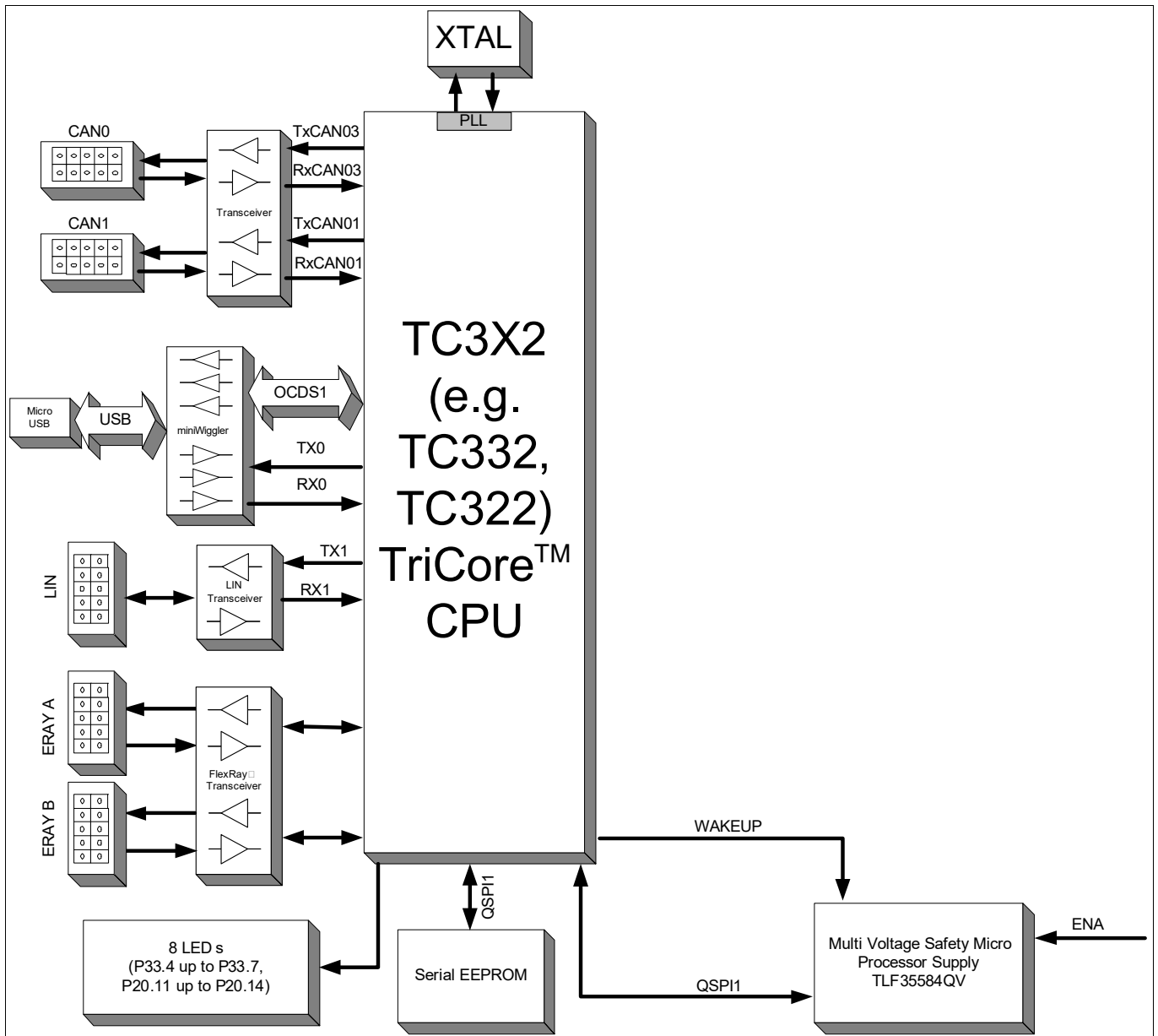


Figure 2-1 TriBoard Block Schematic

Features

2.3 Placement

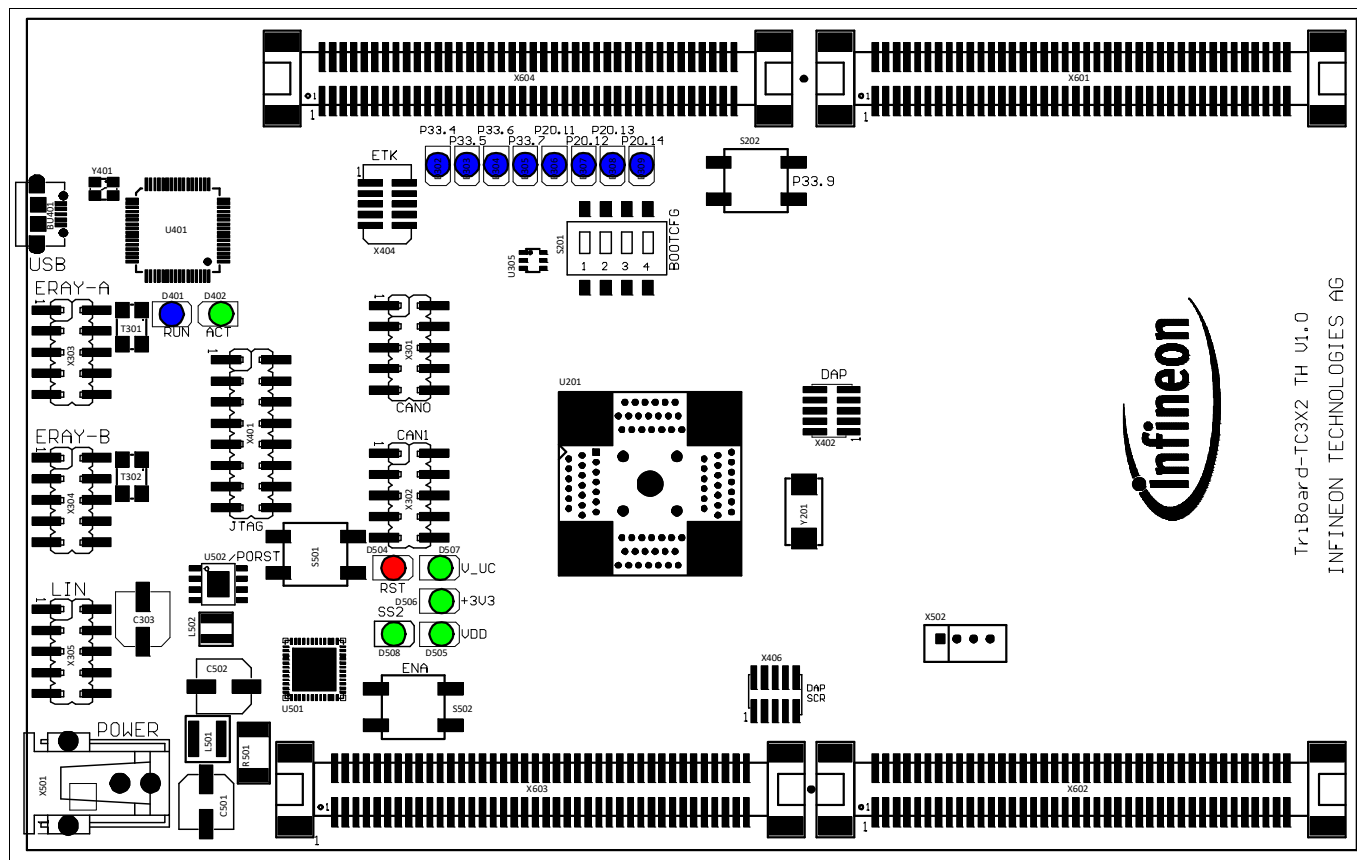


Figure 2-2 TriBoard TC3X2 (TH) V1.0 Placement

## 3 TriBoard Information

### 3.1 Soldered board

TriBoard TC3X2 V1.0 is the soldered board and will be available only with usable devices. Please see also chapter [Usable devices](#).

### 3.2 Socketed board

TriBoard TC3X2 TH V1.0 is the socketed board.

#### 3.2.1 Usable devices

*Note:* *Note: Please check always the latest manual for complete list of usable/tested devices.*

The board can be used with the following devices:

- TC332
- TC322 (planned, not yet tested)

#### 3.2.2 Restricted usable devices

- None

### 3.3 Power Supply

All needed voltages are generated via Infineon's Multi Voltage Safety Micro Processor Supply TLF35584QV and via the microcontroller itself (+1,25V).

The supply device is available as two different devices:

TLF35584QVVS1 -> +5V standby voltage, +5V TriCore™ supply (V\_UC)

TLF35584QVVS2 -> +3,3V standby voltage, +3,3V TriCore™ supply (V\_UC)

Dependent of the assembled device the board works with 5V or 3,3V IO.

The TLF35584QV provide the following voltages:

+3,3V or +5V for standby (connected to VEVRSB)

+3,3V or +5V for TriCore™ (connected to VEXT)

+5V communication supply (used by CAN and FlexRay™ transceivers)

+5V voltage reference (connected to VDDM and VAREFx)

+3,3V via LDO directly from pre regulator

Applying a stable supply voltage causes the power on reset after a short period. The three LED's (V\_UC, +3.3V, VDD) indicate the status of the on board generated voltages.

A manual power on reset is executed by pressing the reset button.

The Board has to be connected to a +3,5V to +40V DC power supply.

The power consumption is not specified yet but a supply with 12V and 500mA is recommended. The pinout for the supply connector is shown in [Figure 6-3](#). There can be used any standard power pack with a connector where the positive line is surrounded by the ground line.



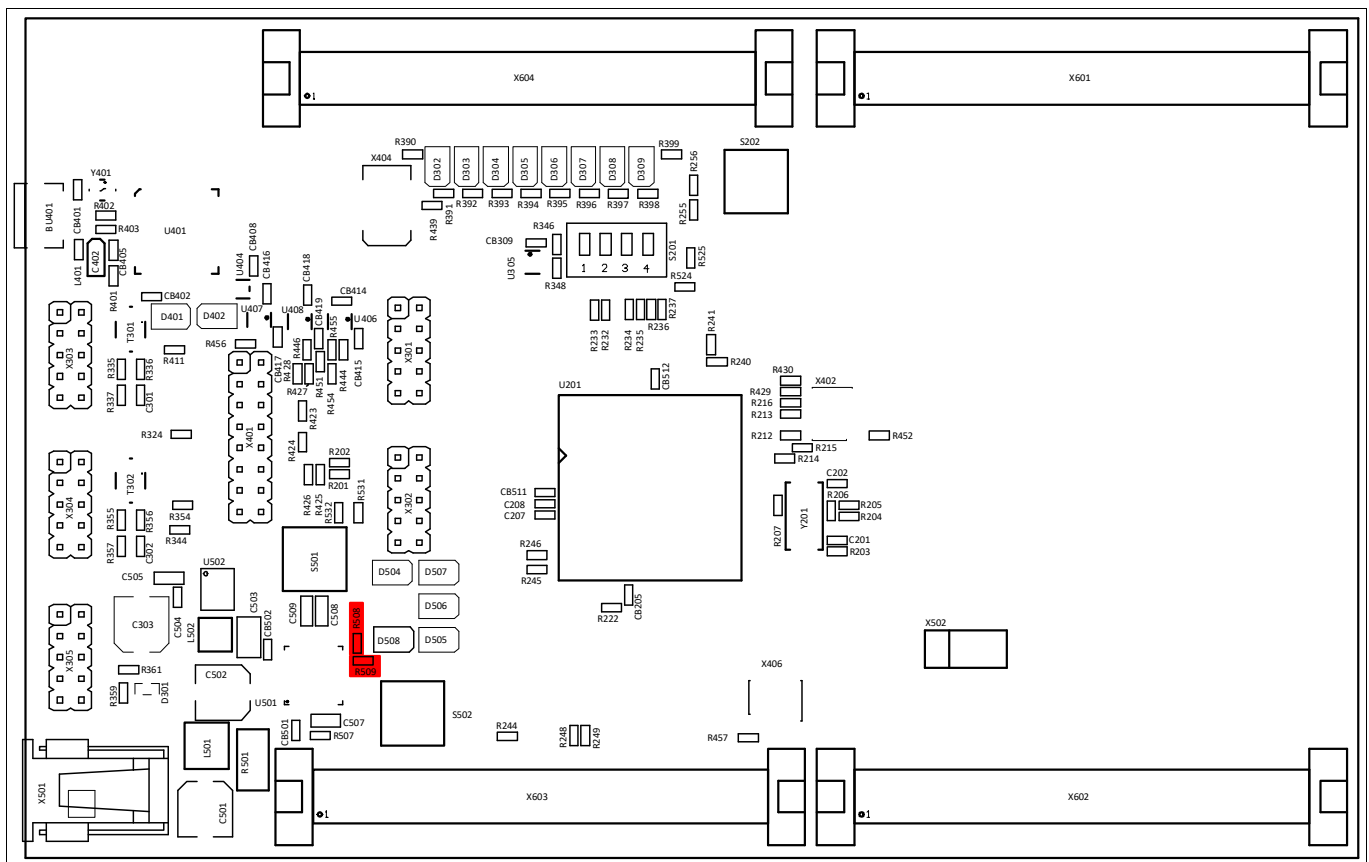
**TriBoard Information**

**3.3.1 Failsafe handling**

In case that the device don't contains a program which disable or service the window watchdog and error pin monitor of the TLF35584 then the TLF35584 is going to a FAILSAFE state where all supplies are switched off. This state can be left via reconnect the power plug or via the ENA button (S502). In this case you must connect a debugger which is able to disable the window watchdog and error pin monitor to reprogram the microcontroller. In the default state of the board the switching to FAILSAFE state is switched off via resistor R508.

If you will use/evaluate all safety features of the TLF35584 make sure that R509 is assembled and R508 is not assembled. Make sure that you have a proper initialization of TLF35584 in your software.

Resistor R508 and R509 are red marked in the following **Figure 3-1**:



**Figure 3-1 Resistors for TLF35584 Safety feature handling with switch on**

**3.4 LEDs**

There are 15 LEDs on board:

- D302 up to D305 (blue) -> toggle LEDs connected to P33.4 ... P33.7
- D306 up to D309 (blue) -> toggle LEDs connected to P20.11 ... P20.14
- D504 RST (red) -> RESET LED indicate the reset state of the board (/ESR0)
- D505 VDD (green) ->VDD (+1,25V) power supply indication
- D506 +3V3 (green) -> +3,3V power supply indication
- D507 V\_UC (green) -> +5V/+3,3V power supply indication
- D508 SS2 (green) -> safe state signal 2 indication
- D402 ACT (green) -> on board miniWiggler JDS is ACTIV
- D401 RUN (blue) -> Debug RUN mode (switched by DAS Server)

TriBoard Information

3.5 Clock

On the board is a fixed crystal with 20MHz assembled. You can change this by replacing Y101 (soldered).

3.6 USB Connector

The USB connector is used for connection to a PC. Via the USB it is possible to power the board, using the ASCLIN0 as serial connection via USB and Debugging via DAS. For the pinout of USB socket see **Figure 6-4**.

NOTE: Before connecting the board to the PC, make sure that the actual DAS software is installed on the PC. For actual DAS software please contact your local FAE.

The software can also be found on:

[DAS website](#)

3.6.1 Serial Connection to PC

After the first connection of USB to a PC the needed driver will be installed automatically. During this there will be created a new COM port on PC. This COM port can be used to communicate with the board via ASCLIN0 of the device. Per default the ASCLIN0 is used on P14.0 and P14.1 (e.g. Generic Bootstrap Loader) . In case you will use the Generic Bootstrap Loader via CAN or ASCLIN0 via P15.2 and P15.3 you must:

- remove R436 and R437 (this disconnect the serial connection from P14.0 and P14.1)
- remove R301 and R302 (this disconnect the CAN0 transceiver from P11.10 and P11.12)
- assemble R438 and R440 with 0R resistor (size 0603) to connect P15.2 and P15.3 to serial connection
- assemble R303 and R304 with 0R resistor (size 0603) to connect P14.0 and P14.1 to CAN0 transceiver

The mentioned resistors are red marked in **Figure 3-2**.

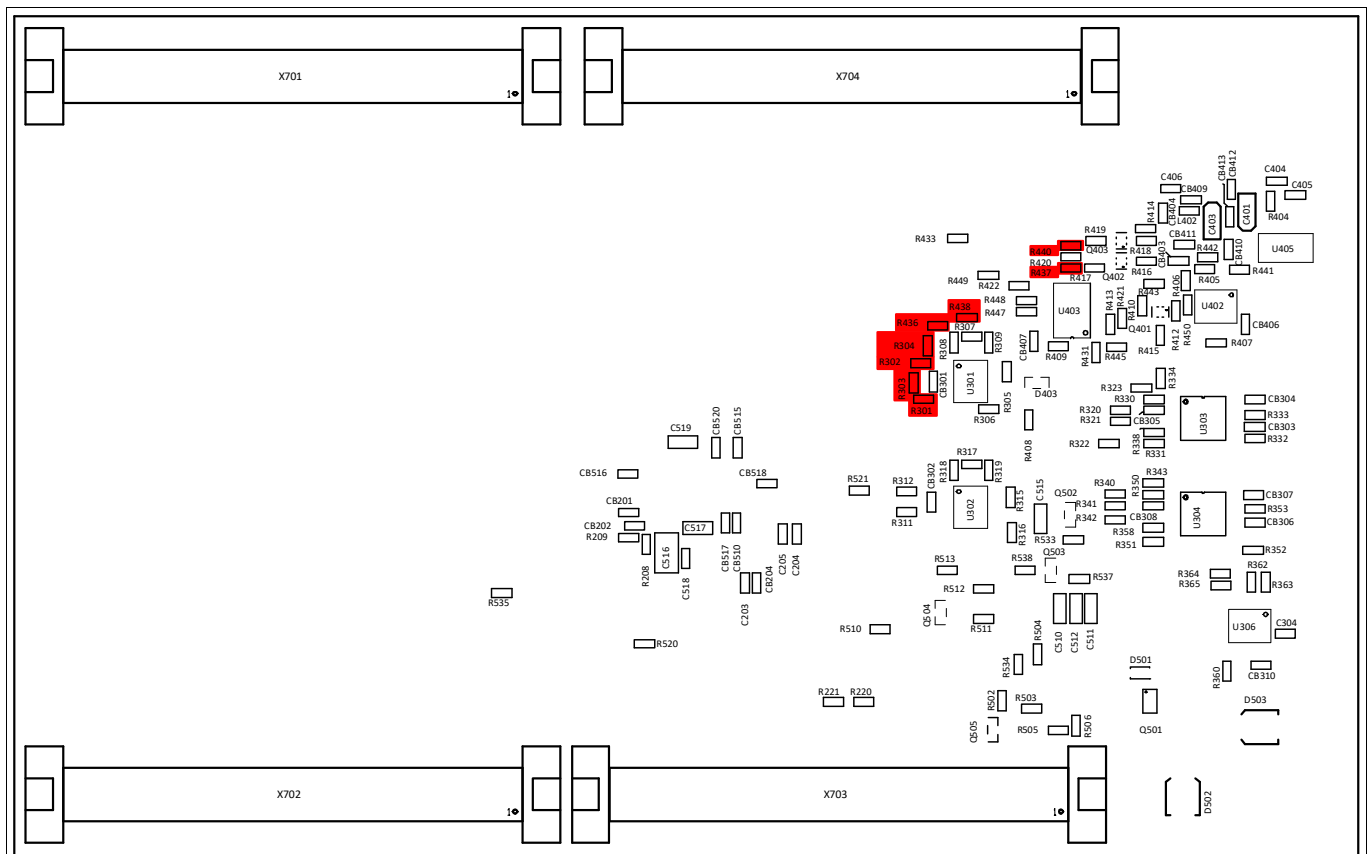


Figure 3-2 Resistors for ASC connection (ASC0)

## TriBoard Information

### 3.6.2 miniWiggler JDS

The miniWiggler JDS is a low cost debug tool which allows you access to the JTAG of the device. Make sure that you have the latest DAS release. Debugging is possible via the DAS Server 'UDAS'. Please contact your preferred debug vendor for support of DAS.

If you have connected the board to the PC and there runs the DAS server, then a working connection is visible via the green ACTIV LED.

The status RUN LED is switched on/off through the DAS Server, depending on the used debugger (client).

**IMPORTANT: Make sure that there is no or a tristated connection on X401 (OCDS1) and X402 (DAP) if the ACTIV LED is on.**

Per default the miniWiggler is connected to the DAP. If resistors R214, R215 and R216 assembled (default) then the standard DAP is connected to miniWiggler. If all this resistors are not assembled then the miniWiggler can't be used. In this case only the DAP connectors X402 and X406 can be used. See [Figure 3-6](#).

### 3.7 FlexRay™ (E-RAY)

The board has 2 IDC10 plugs for FlexRay™ Communication (channel A and B) with up to 10 Mbit/s. For the pinout of the plugs see [Figure 6-5](#). You can use a IDC female connector with crimpconnector, flat cable and SUB-D 9 plug with crimpconnector to have a 1:1 adapter to SUB-D 9.

The transceiver are connected to the TriCore™ device via zero ohm resistors (R320 up to R324 and R340 up to R344) which must be removed to use the ports outside.

ERAY-A can be connected to P02.0, P02.1 and P02.4. Transceiver for channel A can be enabled/disabled via P20.8. The error state of transceiver channel A can be read out via P20.9.

ERAY-B is connected to P02.2, P02.3 and P02.5. Transceiver for channel B can be enabled/disabled via P02.6. The error state of transceiver channel A can be read out via P02.7.

For more information look in the user manual for TC3X2 TQFP.

### 3.8 Serial EEPROM

The QSPI1 of the TC3X2 TQFP is connected to a serial EEPROM with a size of 2KBit (256 x 8). As chip select for this EEPROM is used the port pin P23.1. P23.1 has no chip select functionality of QSPI. Therefore the software must generate the chip select manual via bit banging. To disconnect (disable) the EEPROM remove resistor R348.

### 3.9 MultiCAN

On the board are two CAN transceiver connected to the CAN0 and CAN1 of TC3X2 TQFP. The transceivers are connected to two IDC10 plug. For the pinout of IDC10 plug see [Figure 6-6](#). You can use a IDC female connector with crimpconnector, flat cable and SUB-D 9 plug with crimpconnector to have a 1:1 adapter to SUB-D 9.

The transceiver are connected to the TriCore™ device via zero ohm resistors (R301 up to R304 and R311 up to R314) which must be removed to use the ports outside.

CAN0 can be used via P11.10 and P11.12 (CAN0 node 3, default) or P14.0 and P14.1 (CAN0 node 1). CAN1 can be used via P15.2 and P15.3 (CAN0 node 1, default).

### 3.10 LIN

On the board is one LIN transceiver connected to the ASCLIN1 on TC3X2 TQFP (P15.0 and P15.1). The transceiver are connected to one IDC10 plug. For the pinout of IDC10 plug see [Figure 6-7](#). You can use a IDC female connector with crimpconnector, flat cable and SUB-D 9 plug with crimpconnector to have a 1:1 adapter to SUB-D 9.

To disconnect the LIN remove resistor R364 and R365.

TriBoard Information

The LIN can be used in master and in slave mode. For the master mode there is per default a pull-up of 1K (R360) and a capacitor of 1nF (C304) on the BUS assembled. For using the LIN in slave mode the pull-up resistor R360 must be removed and maybe the capacitor changed to a smaller value (e.g. 220pF).

The mentioned resistor and capacitor are red marked in **Figure 3-3**

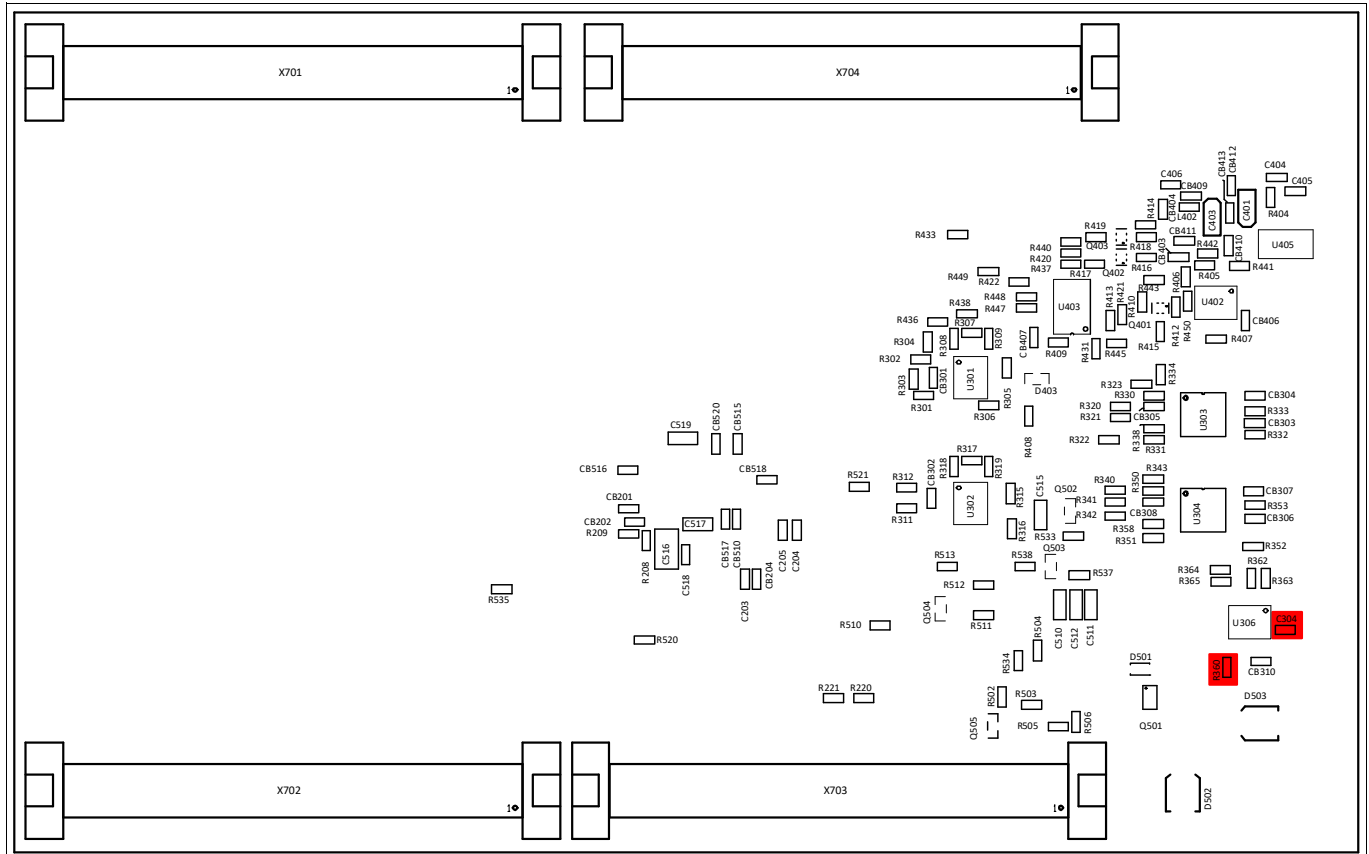


Figure 3-3 Components for LIN Master Mode

### 3.11 ADC

On this boards are 5 ADC channels prepared with a low pass filter. On pin AN5, AN11, AN12, AN32 and AN33 is assembled a capacitor of 47nF and a serial resistor of 4,7K. The filter components are red marked in the following figures (**Figure 3-4** and **Figure 3-5**).

TriBoard Information

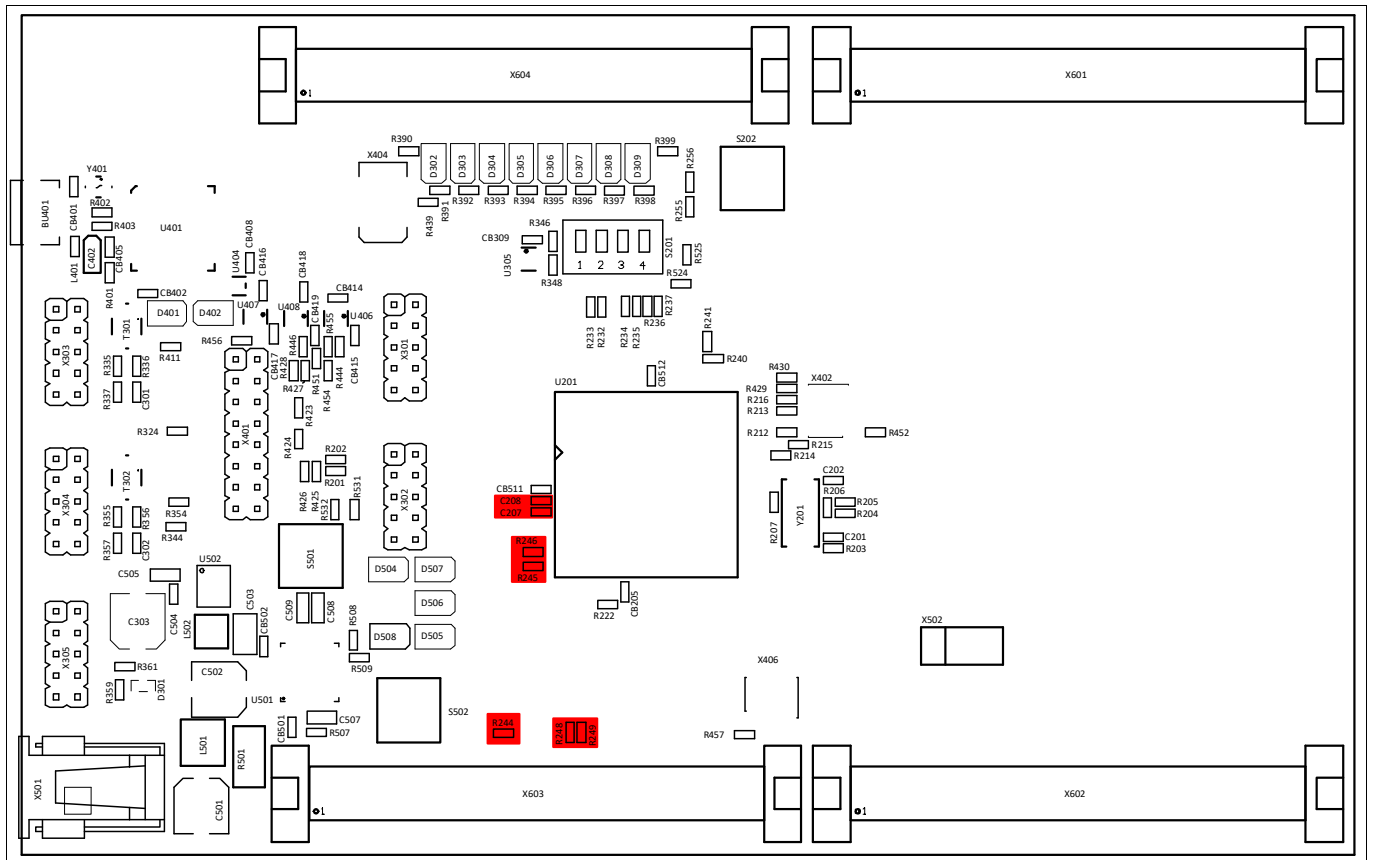


Figure 3-4 Filter components of ADC channels on Top Side

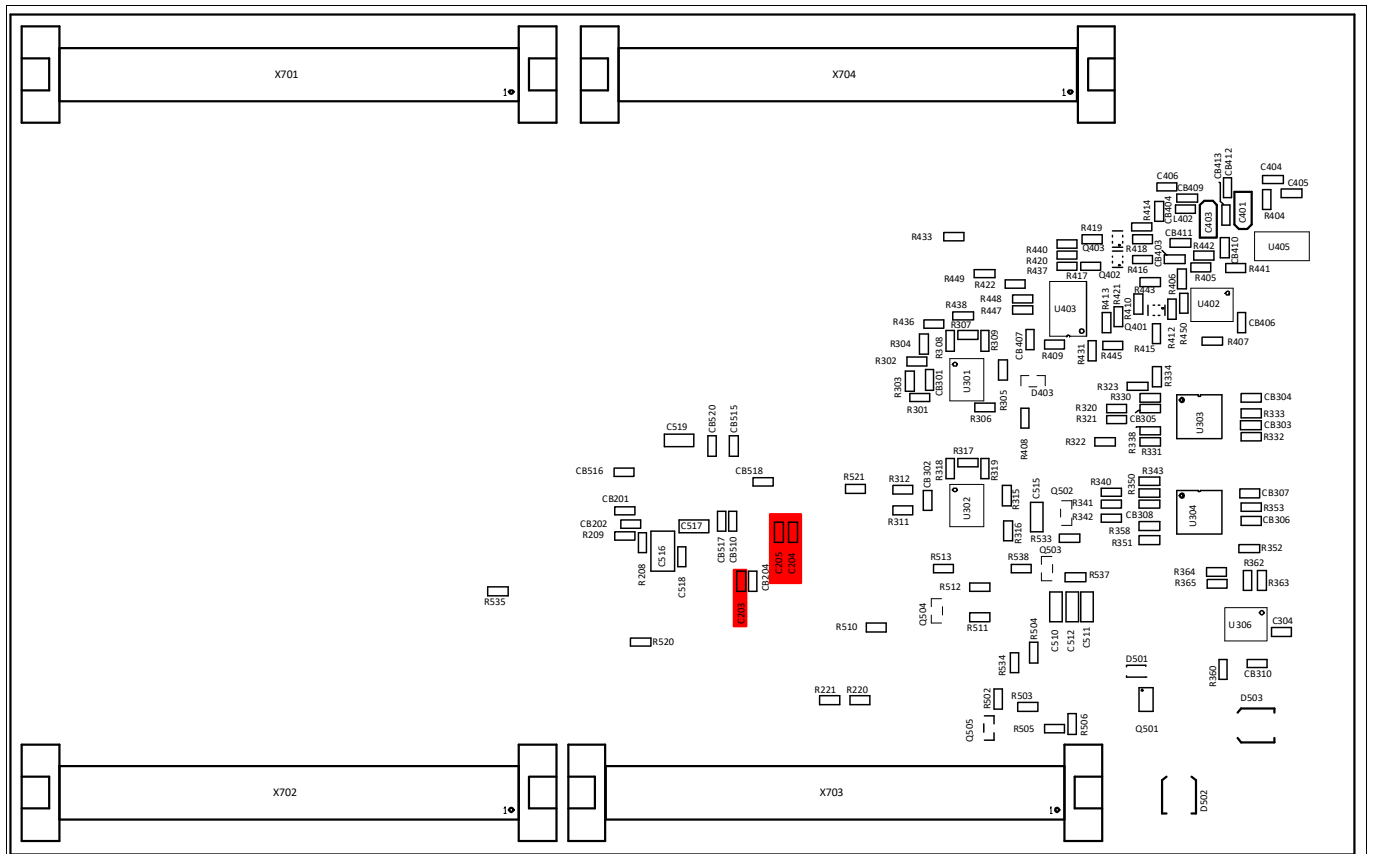


Figure 3-5 Filter components of ADC channels on Bottom Side

**TriBoard Information****3.12 Other peripherals**

For all other peripherals there are no special plugs on the board. The peripheral signals are available on the different connectors. See [“Connector Pin Assignment” on Page 6-1](#).

**3.13 Toggle LED's**

The status LED's are low active and can be controlled by Software.

Port 20 pin 11 up to pin 14 are connected to single LED's (D306... D309) and powered by the normal microcontroller voltage.

Port 33 pin 4 up to pin 7 are connected to single LED's (D302... D305) and powered by the standby voltage. This means that this LED's can be active also when the board is in standby mode and only the standby voltage available (port 33 is powered by VEVR SB pin which is connected to standby supply of TLF35584). In this case the port pins are controlled by the standby controller if available.

**3.14 Buttons**

On the board are three buttons.

The reset button (S501) will apply a warm power on reset to the device.

The ENA button (S502) will be used to enable/wakeup the TLF35584.

The P33.9 button (S202) can be used by software as input. Also can this button be used by the standby controller to react on an event when only standby supply is available (e.g. wakeup the TLF35584 via P33.10).

**3.15 Debug System****3.15.1 OCDS1**

The OCDS1 signals are connected to the IDC16 plug (X401). They work with the port supply of Microcontroller (+5V default or +3,3V). For pinout of the connector see [Figure 6-8](#). You can connect any debugger to this connector.

The signals /BRKIN and /BRKOUT are not connected per default. If you need these signals in the connector then assemble R424 and R425 or R426 with a 0R resistor.

If you connect a debug hardware make sure that the miniWiggler JDS (see [“miniWiggler JDS” on Page 3-4](#)) is not active (ACTIV LED is off) and on the DAP connector (X402) no hardware is connected or the hardware is tristated.

If the ACTIV LED is on, then stop the active DAS Server 'UDAS' and/or remove the USB connection to the PC.

If R214 up to R216 are not assembled then the connector is not usable.

**3.15.2 DAP**

The board comes with a DAP connector (X402). For pinout of this connector see [Figure 6-9](#). You can connect a DAP hardware here. If you use this connector make sure that the miniWiggler JDS is not active (ACTIV LED is off) and a connected OCDS1 hardware is disconnected or tristated.

**3.15.3 DAP\_SCR**

Additional DAP connector (X406) is connected to DAP\_SCR. This DAP can be used as private DAP connection to the standby controller. For pinout of this connector see [Figure 6-9](#). You can connect a DAP hardware here. This DAP uses P33.6 and P33.7 which are connected to LEDs on the board. Maybe it is necessary to remove R393 and R394 if the speed of the connection is not fast enough.

TriBoard Information

### 3.15.4 High speed with DAP

For use the DAP connection with 160 MHz you need to remove 3 resistors to have a very short connection between device and connector. On the TC3X2 Triboard this 3 resistors are R214, R215 and R216 for DAP (red marked in [Figure 3-6](#)). This resistors needs to be removed.

**Important: When the resistors are removed then only the DAP connector on the board can be used. The onboard wiggler and the OCDS1 connector couldn't be use (are disconnected) in this case, also the DAP/JTAG part of the ETK connector couldn't be used.**

All resistors are red marked in the following figure:

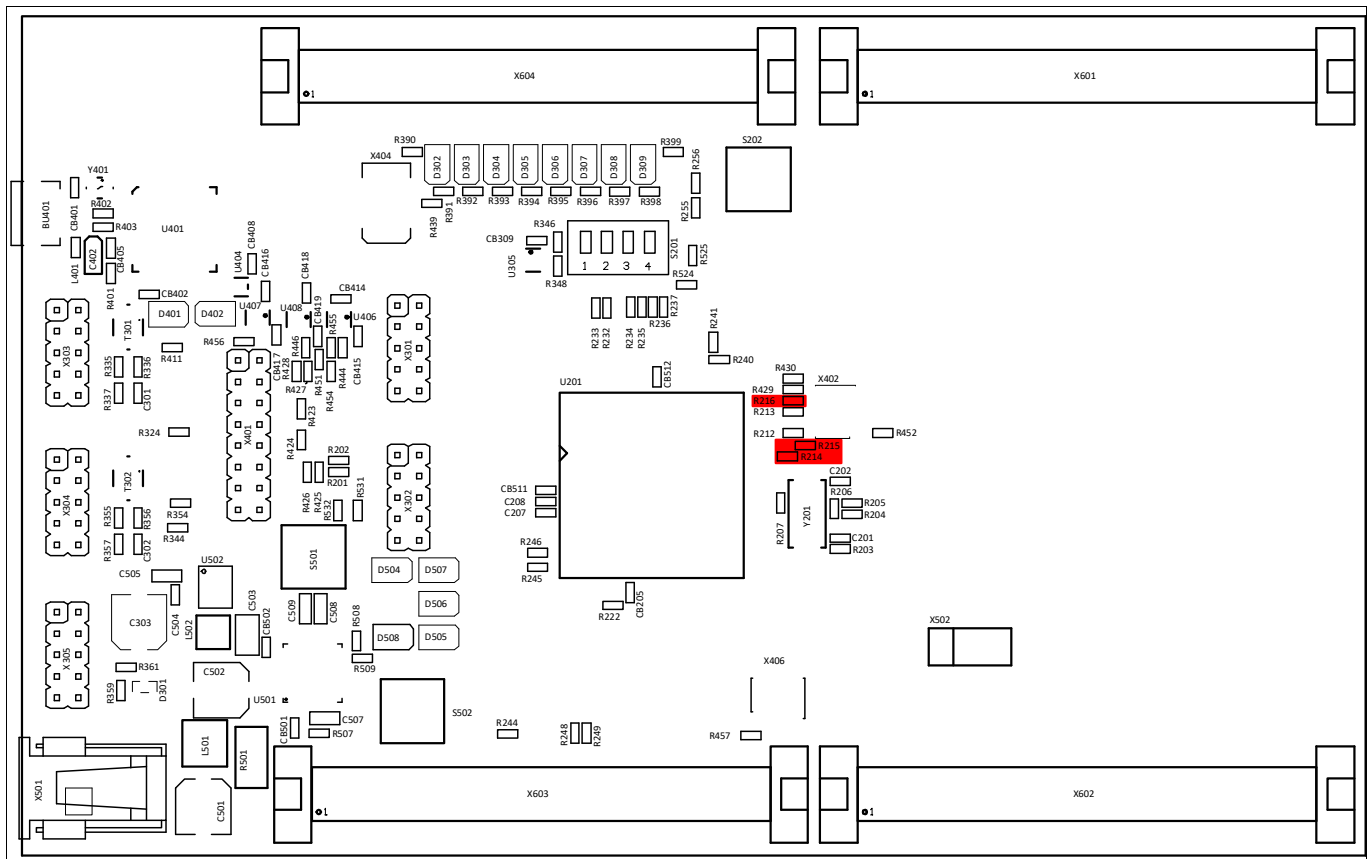


Figure 3-6 Location of DAP resistors on Top Side

### 3.15.5 ETK connector (optional)

The TriBoard provide a 10 pin samtec connector (X404) for connecting to an ETK. This connector should be assembled by your self if needed.

For the pinout of connector see [Figure 6-10](#).

The needed Samtec connector is: TFM-105-02-A.

### 3.15.6 EmW Power (optional)

The TriBoard provide the 4 pin power connector (X502) for the Ethernet miniWiggler (EmW). This connector should be assembled by your self if needed.

For the pinout of connector see [Figure 6-11](#).

The needed Samtec connector is the JST B4B-PH-K.

The connector provide the input voltage to the Ethernet miniWiggler and an enable/wakeup signal connected to TLF35584.

#### TriBoard Information

Because the device don't have a VDDSB pin the 1,25V standby supply pin of the connector is not connected on this board.



TriBoard Configuration

## 4 TriBoard Configuration

### 4.1 HW Boot Configuration

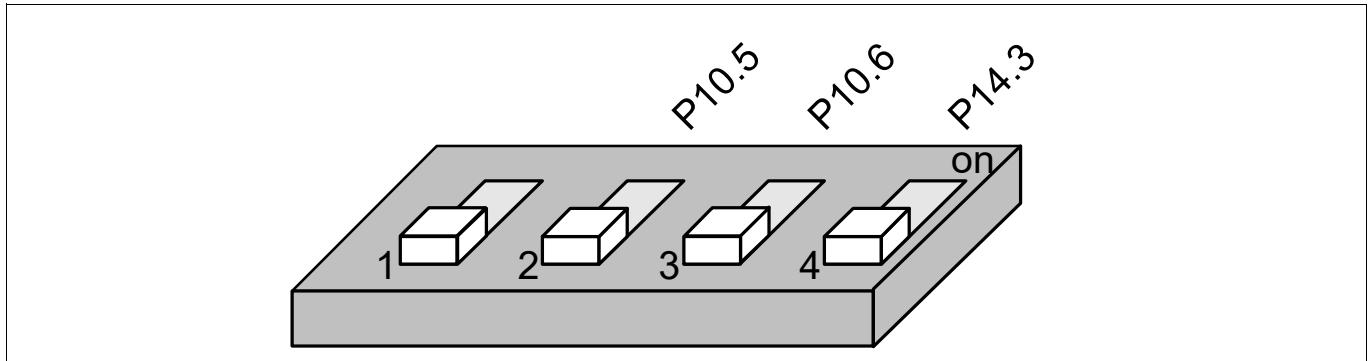


Figure 4-1 HW Configuration DIP-Switches

The picture above shows the definition of the boot HW configuration switch. The meaning of the switches will be described in the following table (Table 4-1).

Note: The ON position of the switch is equal to a logical LOW at the dedicated pin.

#### 4.1.1 Default Pad State

P14.4 / HWCFG6 is used to select the Default Pad State. Dipswitch 1 used to select this.

In case that dipswitch1 is set to ON then all I/O pins are in tristate otherwise the internal pull-up devices are enabled on the I/O pins. Please note that after change Dipswitch 1 you must make a power cycle (switch off -> switch on) to use the new configuration.

In case that TriState is selected (Dipswitch 1 is set to ON) then the I/O pins are floating. If you need a specific level on different pins during startup (e.g. driver pins) then you must add the needed pull device (up or down). Some pins (especially the HWCFG pins) haven always the needed external pull-up and/or pull-down resistor assembled on the board.

#### 4.1.2 Bootmode

Table 4-1 User Startup Modes <sup>1)2)3)</sup>

HWCFG[5...3]	Type of Boot	2	3	4
XX1	Start-up mode is selected by Boot Mode Index	X	X	OFF
110	Internal Start from Flash	OFF	OFF	ON
100	Alternate Boot Mode, Generic Bootstrap Loader on fail (P14.0/P14.1)	ON	OFF	ON
010	Alternate Boot Mode, ASC Bootstrap Loader on fail (P15.2/P15.3)	OFF	ON	ON
000	Generic Bootstrap Loader (P14.0/P14.1)	ON	ON	ON

1) The shadowed line indicates the default setting.

2) 'x' represents the don't care state.

3) 2 to 4 are the Dip Switch numbers.

## TriBoard Configuration

## 4.2 Assembly Options

### 4.2.1 General optional resistors

**Table 4-2 General optional resistors (default assembly in brackets)**

Component	Description
R202	Connect P20.2 (/TESTMODE) to GND (not assembled)
R203	XTAL1 Rload (50 Ohm) (not assembled)
R206	XTAL Rparallel (not assembled)
R207	XTAL2 Rserial (assembled)
R238	Switch off EVRC (not assembled)
R240	Switch off EVR33 (not assembled)
R390	Connect V_STBY to toggle LEDs D302...D305 (assembled)
R399	Connect V_UC to toggle LEDs D306...D309 (assembled)
R423	Connect P20.0 with miniWiggler JDS (not assembled)
R424	Connect P20.0 with OCDS1 connector (not assembled)
R425	Connect P21.7 with OCDS1 connector (not assembled)
R426	Connect P20.2 with OCDS1 connector (not assembled)
R427	Connect P21.7 with USR1 of miniWiggler JDS (not assembled)
R428	Connect P20.2 with USR1 of miniWiggler JDS (not assembled)
R429	Connect P21.6 (DAP3) with USR1 of DAP (assembled)
R430	Connect P20.2 with USR1 of DAP (not assembled)
R433	Connect P21.7 with ETK connector (not assembled)
R439	Connect P21.7 with ETK connector (not assembled)
R508	Connect pin MPS of TLF35584 to V_CO (not assembled)
R509	Connect pin MPS of TLF35584 to Ground (assembled)
R524	Connect VDDP3 to V_UC (not assembled)
R525	Connect VDDP3 to +3V3 (not assembled)

*Note: All resistors are red marked in the following figures*

TriBoard Configuration

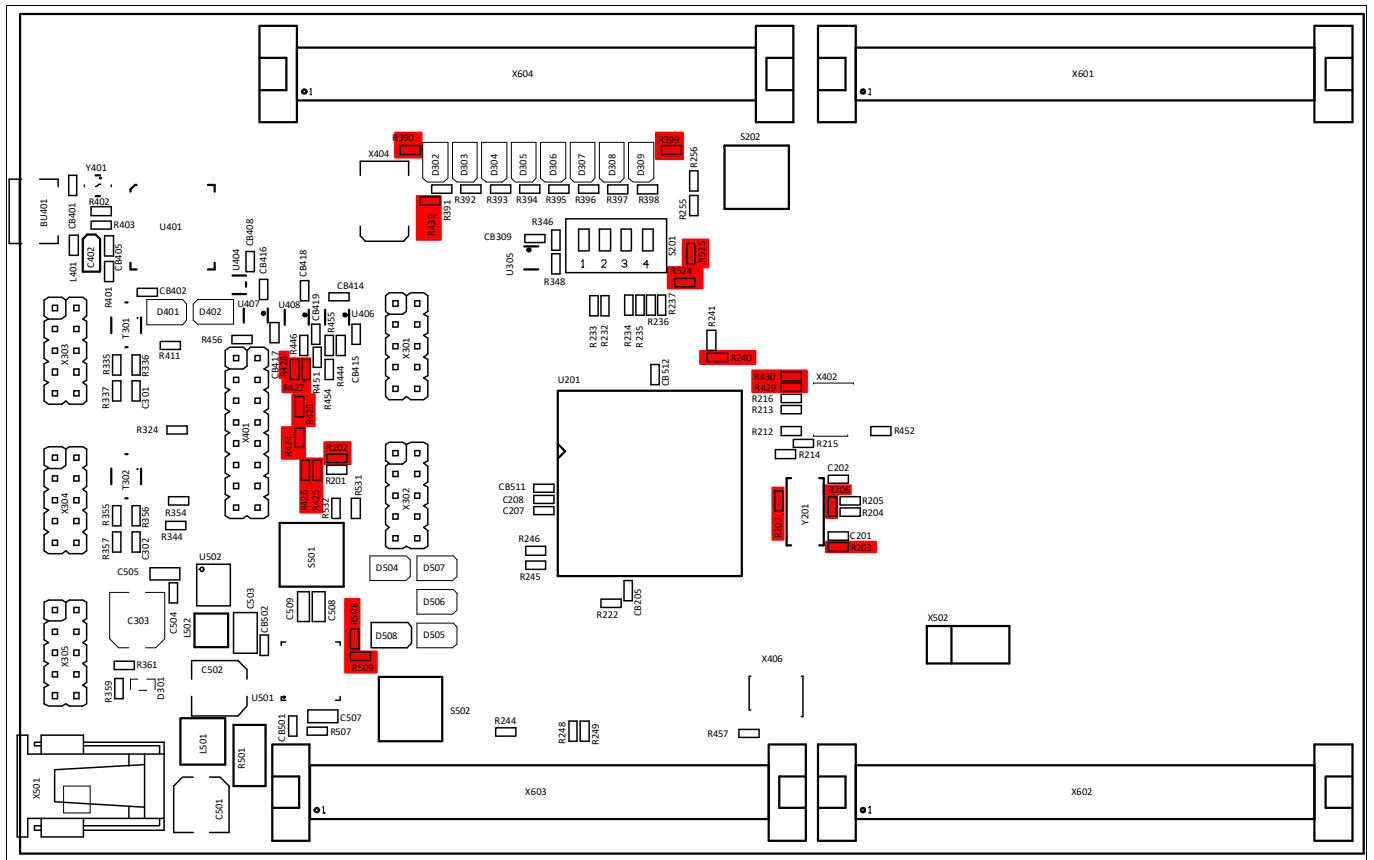


Figure 4-2 Location of general optional resistors on Top Side

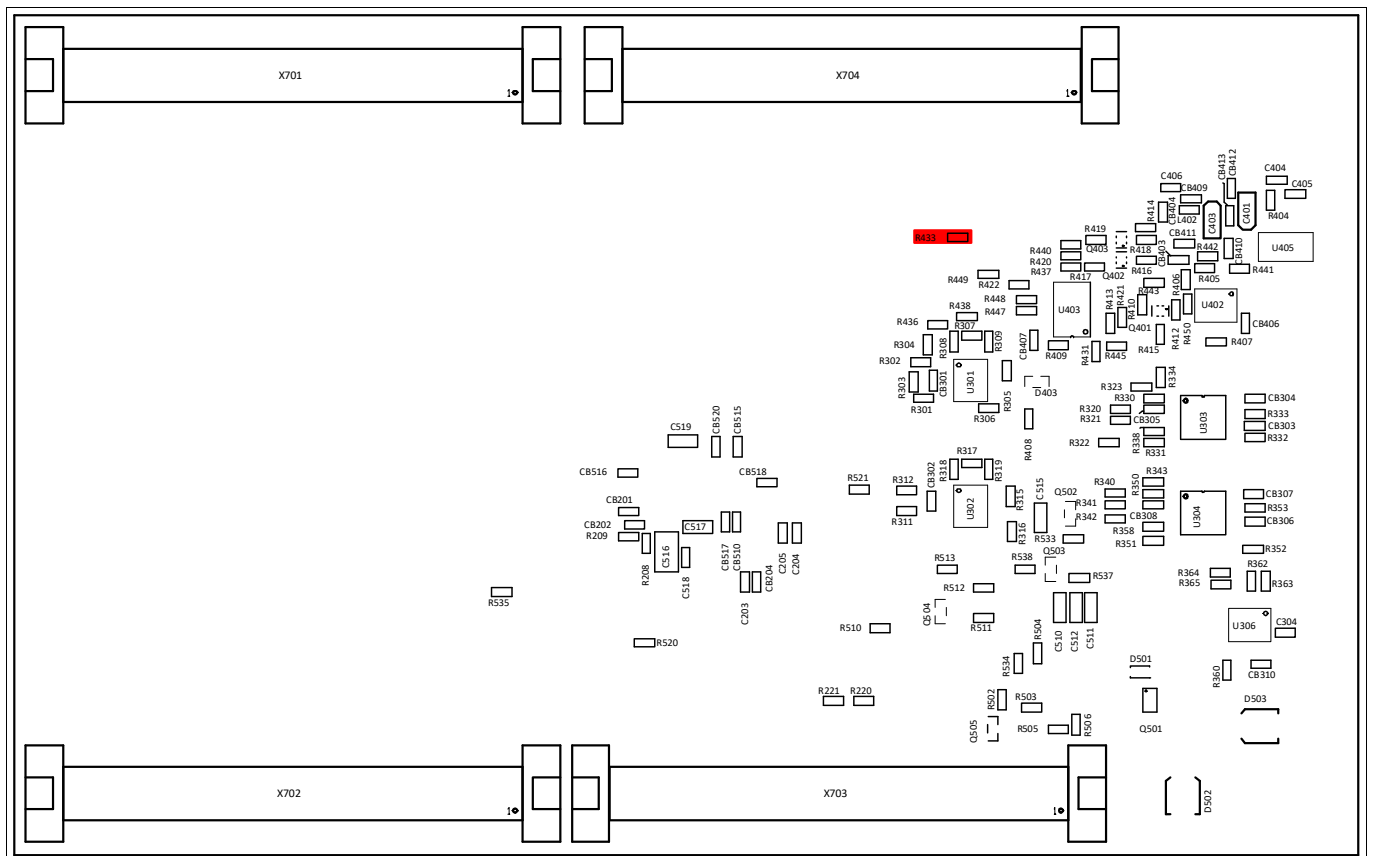


Figure 4-3 Location of general optional resistors on Bottom Side

## TriBoard Configuration

## 4.2.2 Resistors for peripherals

Table 4-3 Resistors for peripherals (default assembly in brackets)

Component	Description
R220	Connect V_VR with VDDM (assembled)
R221	Connect +3V3 with VDDM (not assembled)
R222	Connect VAREF1 with VDDM (assembled)
R301	Connect P11.10 with RXD of CAN0 transceiver (assembled)
R302	Connect P11.12 with TXD of CAN0 transceiver (assembled)
R303	Connect P14.1 with RXD of CAN0 transceiver (not assembled)
R304	Connect P14.0 with TXD of CAN0 transceiver (not assembled)
R311	Connect P15.3 with RXD of CAN1 transceiver (assembled)
R312	Connect P15.2 with TXD of CAN1 transceiver (assembled)
R320	Connect P02.0 with TXD of ERAY-A transceiver (assembled)
R321	Connect P02.4 with TXDEN of ERAY-A transceiver (assembled)
R322	Connect P02.1 with RXD of ERAY-A transceiver (assembled)
R323	Connect P20.8 with EN of ERAY-A transceiver (assembled)
R324	Connect P20.9 with ERRN of ERAY-A transceiver (assembled)
R340	Connect P02.2 with TXD of ERAY-B transceiver (assembled)
R341	Connect P02.5 with TXDEN of ERAY-B transceiver (assembled)
R342	Connect P02.3 with RXD of ERAY-B transceiver (assembled)
R343	Connect P02.6 with EN of ERAY-B transceiver (assembled)
R344	Connect P02.7 with ERRN of ERAY-B transceiver (assembled)
R348	Connect P23.1 with CS of SPI Eeprom (assembled)
R364	Connect P15.1 with RXD of LIN1 transceiver (assembled)
R365	Connect P15.0 with TXD of LIN1 transceiver (assembled)
R436	Connect P14.0 with RXD of USB to UART (assembled)
R437	Connect P14.1 with TXD of USB to UART (assembled)
R438	Connect P15.2 with RXD of USB to UART (not assembled)
R440	Connect P15.3 with TXD of USB to UART (not assembled)

Note: All resistors are red marked in the following figures

TriBoard Configuration

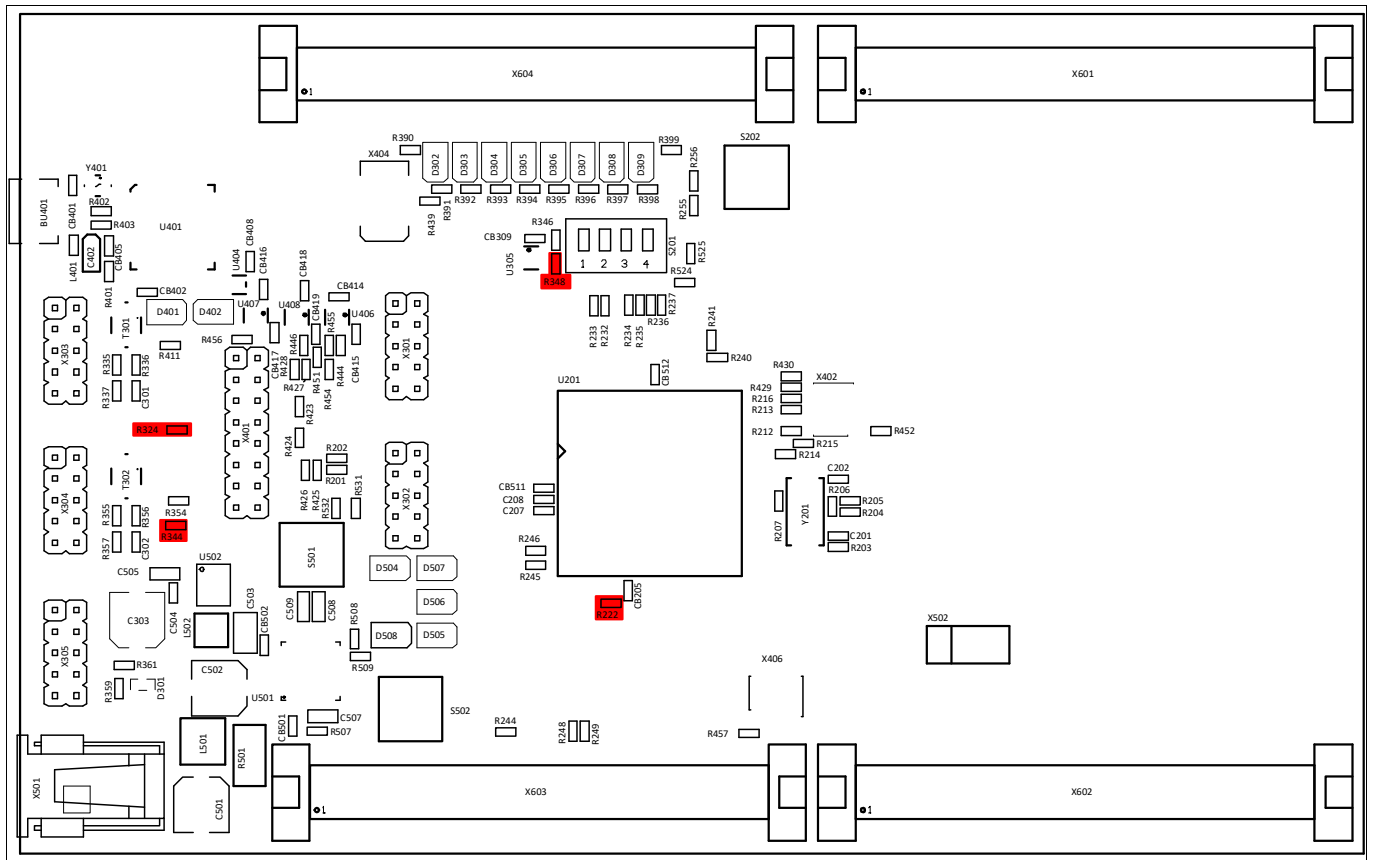


Figure 4-4 Location of peripheral resistors on Top Side

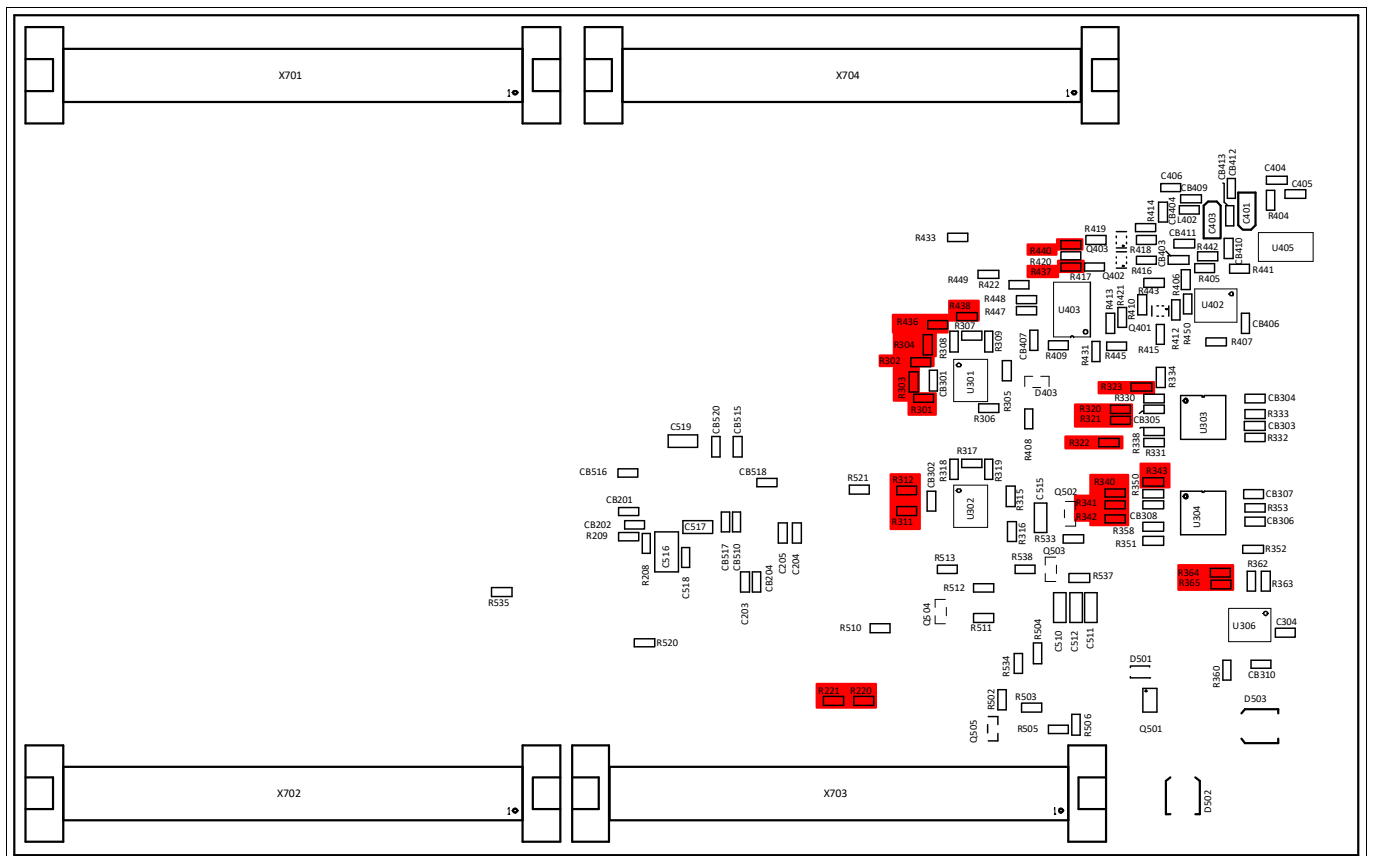


Figure 4-5 Location of peripheral resistors on Bottom Side

## Signal (on board used) Description

### 5 Signal (on board used) Description

For more information about the signals please see the user manual/datasheet for TC3X2 and/or the schematics of the board.

All not mentioned signals are not used on the board and can be used outside. Optional marked signals are used only if they are connected (default is that they are not used on the board).

#### 5.1 Power Signals

**Table 5-1 Power Signals**

Short name	Description
VCC_IN	Supply Input (3,5V...40V)
VIN	Input Voltage of Power Supply Device
GND	Ground
V_PREPEG	Pre Regulator Voltage (~5,8V)
V_UC	Microcontroller Supply Voltage (5V or 3,3V depends on assembled TLF35584)
V_CO	Communication Supply Voltage (5V)
V_VR	Reference Supply Voltage (5V)
V_STBY	Standby Supply Voltage (5V or 3,3V depends on assembled TLF35584)
VDD	Core Supply Voltage (1,25V)
VDDSB	Emulation Stand-by SRAM Supply Voltage (1,25V)
VDDP3	Flash Power Supply Voltage (3,3V)
VFLEX	Flexport Supply Voltage (3,3V)
VEXTOSC	Oscillator Port Supply Voltage (5V or 3,3V depends on assembled TLF35584)
VDDOSC	Oscillator Core Supply Voltage (1,25V)
VSSOSC	Oscillator Ground
VDDM	ADC Analog Part Supply Voltage (5V or 3,3V selectable via 0R resistors)
VAREF1	ADC Reference Voltage 1 (VDDM)
VDD_USB	Supply Voltage from USB (5V)
VDD_FT	Supply Voltage FT2232HL device (3,3V)

#### 5.2 Reset Signals

**Table 5-2 Reset Signals**

Short name	Description
/PORST	Power On Reset
/DBG_PORST	Power On Reset from debug connectors
/ESR0	External Service Request 0 (Hardware Reset)
/ESR1	External Service Request 1 (Non Maskable Interrupt)

Signal (on board used) Description

### 5.3 Config Signals

Table 5-3 Config Signals

Short name	Description
P14.5	HWCFG1 (EVR33OFF / EVR33ON)
P14.3	HWCFG3 (Boot from pins / Boot from Flash BMI)
P10.5	HWCFG4 (see boot configuration <a href="#">Table 4-1</a> )
P10.6	HWCFG5 (see boot configuration <a href="#">Table 4-1</a> )

### 5.4 Clock Signals

Table 5-4 Clock Signals

Short name	Description
XTAL1	Crystal Oscillator Input
XTAL2	Crystal Oscillator Output

### 5.5 Debug Signals

Table 5-5 Debug Signals

Short name	Description
/TRST	Test Reset
DAP0	Device Access Port Line 0 / Test Data Clock (TCK)
DAP1	Device Access Port Line 1 / Test Data Select (TMS)
DAP2	Device Access Port Line 2 / Test Data Output (TDO)
P21.6	Test Data Input (TDI)
DAP0_A	DAP0 / TCK from debug connectors
DAP1_A	DAP1 / TMS from debug connectors
P21.7	DAP2 / TDO from debug connectors / TriCore™ Breakpoint Input
P20.2	Test Mode Select Input
P20.0	TriCore™ Breakpoint Output

### 5.6 Peripheral Signals

Table 5-6 Peripheral Signals

Short name	Description
P14.1	ASCLIN0 Receive Input A CAN01 Receive Input B (optional)
P14.0	ASCLIN0 Transmit Output CAN01 Transmit Output (optional)
P15.3	CAN01 Receive Input A ASCLIN0 Receive Input B (optional)

**Signal (on board used) Description**

**Table 5-6 Peripheral Signals** (continued)

Short name	Description
P15.2	CAN01 Transmit Output ASCLIN0 Transmit Output (optional)
P15.1	ASCLIN1 Receive Input A
P15.0	ASCLIN1 Transmit Output
P11.10	CAN03 Receive Input D
P11.12	CAN03 Transmit Output
P02.0	E-Ray Channel A Transmit Data Output
P02.4	E-Ray Channel A Transmit Data Output enable
P02.1	E-Ray Channel A Receive Data Input 2
P20.8	E-Ray Channel A Enable Output
P20.9	E-Ray Channel A Error Input
P02.2	E-Ray Channel B Transmit Data Output
P02.5	E-Ray Channel B Transmit Data Output enable
P02.3	E-Ray Channel B Receive Data Input 2
P02.6	E-Ray Channel B Enable Output
P02.7	E-Ray Channel B Error Input
P23.1	Slave Select Output for CS of eeprom 25LC020A
P11.6	QSPI1 Master Clock Output for SCL of TLF35584 and SCK of eeprom 25LC020A
P11.9	QSPI1 Master Transmit Output for SDI of TLF35584 and SI of eeprom 25LC020A
P11.3	QSPI1 Master Receive Input B for SDO from TLF35584 and SO of eeprom 25LC020A
P11.11	QSPI1 Slave Select Output 4 for SCS of TLF35584
P11.2	Output for Watchdog Input of TLF35584
P33.8	SMU_FSP0 Output for Error Signal Input of TLF35584
P02.8	Input for Safe State Signal 1 from TLF35584
P33.10	Output for Wake/Inhibit Input of TLF35584
P20.0	HSCT System Clock
P21.2	HSCT Data Negative Input
P21.3	HSCT Data Positive Input
P21.4	HSCT Data Negative Output
P21.5	HSCT Data Positive Output
P20[11...14]	On board LED's
P33[4...7]	On board LED's (standby voltage supplied)



## 6 Connector Pin Assignment

The TriBoard will be shipped with four male (plug) connectors on top layer and four female (socket) connectors on bottom layer. The default connectors are 80-pol. Board to Board connectors from Samtec:

<http://www.samtec.com>

Plug:

FTSH-140-02-L-DV-ES-A

Socket:

FLE-140-01-G-DV-A

### 6.1 On Board only used signals

Following port pins are only used on board and are not connected to any connector also not via resistor:

**Table 6-1 On Board only used Signals**

Short name	Description
VCAP0	Used as VCAP0 for EVRC
VCAP1	Used as VCAP1 for EVRC
P14.5	Used as HWCFG1

Connector Pin Assignment

6.2 TC3X2 Connector / Top View

BUS EXPANSION (X601,X701)			PERIPHERALS (X602,X702)			
GND	1	2	GND	1	2	GND
GND	3	4	GND	3	4	GND
	5	6	P21.6	5	6	VCC_IN
	7	8	P21.7	7	8	VCC_IN
	9	10		9	10	
	11	12		11	12	
	13	14		13	14	
	15	16		15	16	/ESR1
	17	18		17	18	/ESR0
	19	20		19	20	GND
	21	22		21	22	/PORST
	23	24		23	24	
	25	26		25	26	
	27	28		27	28	P23.1
	29	30		29	30	
	31	32		31	32	
	33	34		33	34	
	35	36		35	36	
	37	38		37	38	P20.9
	39	40		39	40	P20.13
	41	42		41	42	P33.5
	43	44		43	44	
	45	46		45	46	P00.0
	47	48		47	48	
	49	50		49	50	GND
	51	52		51	52	XTAL1
	53	54		53	54	XTAL2
	55	56		55	56	P15.3
	57	58		57	58	P15.2
	59	60		59	60	P14.1
	61	62		61	62	P14.0
	63	64		63	64	P20.11
	65	66		65	66	P20.14
	67	68		67	68	P20.12
	69	70		69	70	
	71	72		71	72	P20.8
	73	74		73	74	
	75	76		75	76	GND
	77	78		77	78	+3V3
	79	80		79	80	+3V3

Figure 6-1 Connector for TC3X2 - Pinout (Part I, Top View)

Connector Pin Assignment

ADC (X603, X703)			GTM / PORTS (X604,X704)			
GND	1	2	GND	1	2	GND
GND	3	4	GND	3	4	GND
	5	6		5	6	
	7	8	AN8	7	8	
	9	10		9	10	P02.0
	11	12		11	12	P02.1
AN4	13	14	AN9	13	14	P02.2
AN5	15	16		15	16	P02.3
	17	18		17	18	P02.4
	19	20		19	20	P02.5
	21	22	AN11	21	22	
	23	24	AN12	23	24	
	25	26	AN13	25	26	
	27	28	AN14	27	28	
	29	30	AN15	29	30	
	31	32		31	32	
	33	34		33	34	
	35	36		35	36	P10.6
GND	37	38	GND	37	38	
VDDM	39	40	VAREF1	39	40	
GND	41	42		41	42	
GND	43	44	GND	43	44	
AN32	45	46		45	46	P11.2
AN33	47	48		47	48	P11.3
AN34	49	50		49	50	
	51	52		51	52	
	53	54		53	54	P11.6
	55	56		55	56	
	57	58		57	58	
	59	60		59	60	P11.9
GND	61	62	GND	61	62	P11.10
	63	64	P33.6	63	64	P11.11
	65	66		65	66	P11.12
	67	68		67	68	
VEXT	69	70	+3V3	69	70	
P02.6	71	72		71	72	
P02.7	73	74		73	74	
P02.8	75	76		75	76	VEXT
P33.7	77	78	P14.3	77	78	VEXT
	79	80		79	80	VEXT
						P33.8
						P33.9
						P33.10
						+3V3
						+3V3

Figure 6-2 Connector for TC3X2 - Pinout (Part II, Top View)

Connector Pin Assignment

6.3 Power connector pinout

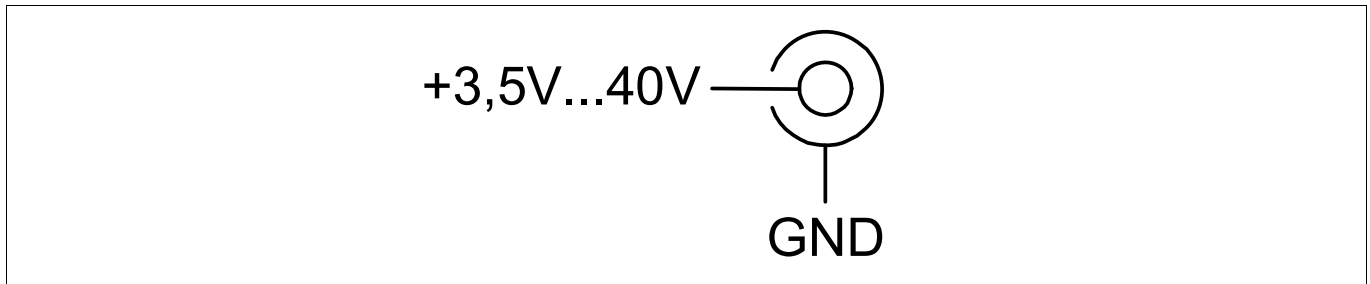


Figure 6-3 Power connector pinout (Roka 520 2550)

6.4 USB connector pinout

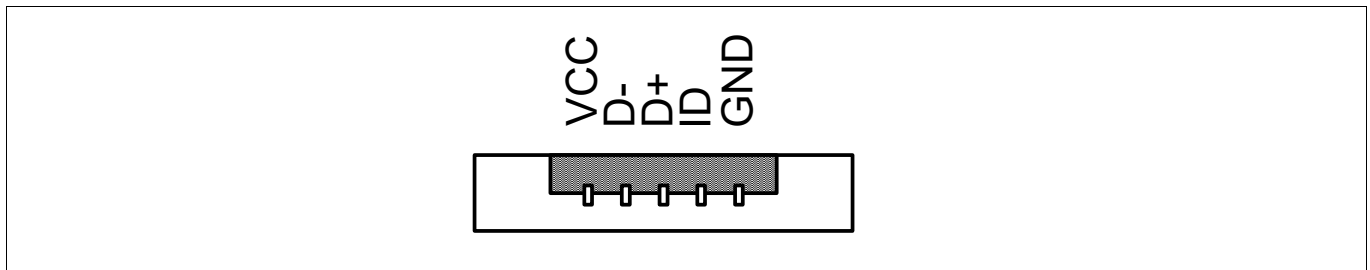


Figure 6-4 USB connector pinout (Micro USB B-type)

6.5 FlexRay™ (ERAY) connector pinout

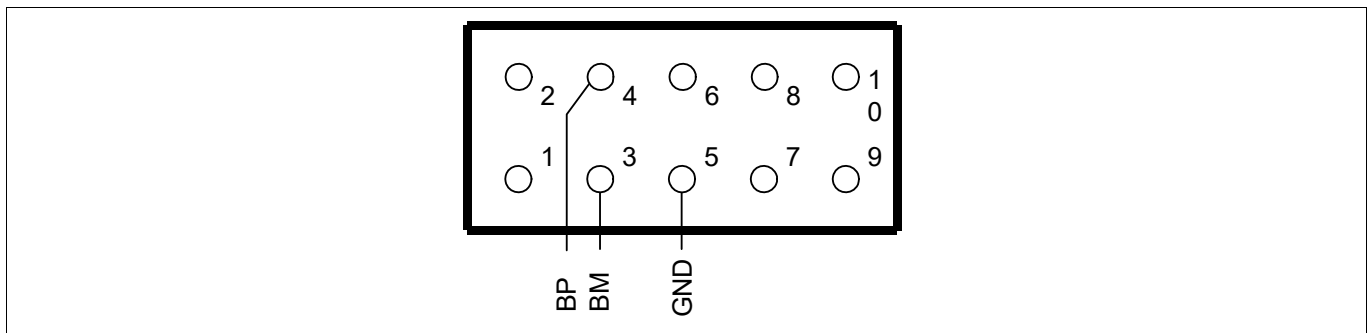


Figure 6-5 FlexRay™ (ERAY) connector pinout (IDC10)

6.6 CAN connector pinout

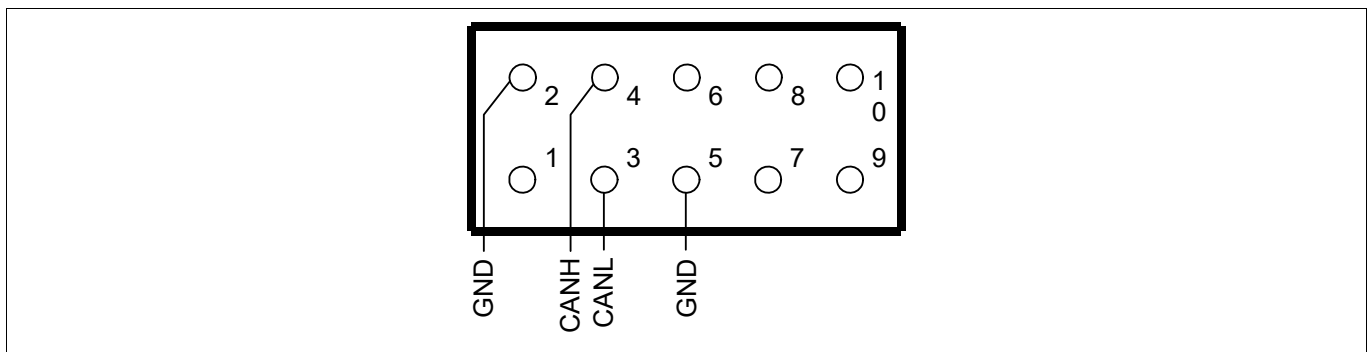


Figure 6-6 CAN connector pinout (IDC10)

Connector Pin Assignment

6.7 LIN connector pinout

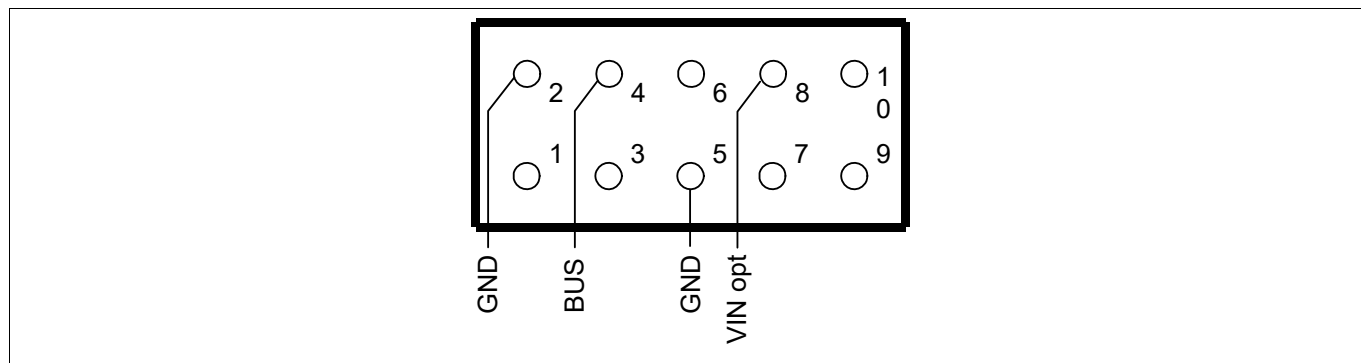


Figure 6-7 LIN connector pinout (IDC10)

6.8 OCDS1 connector pinout

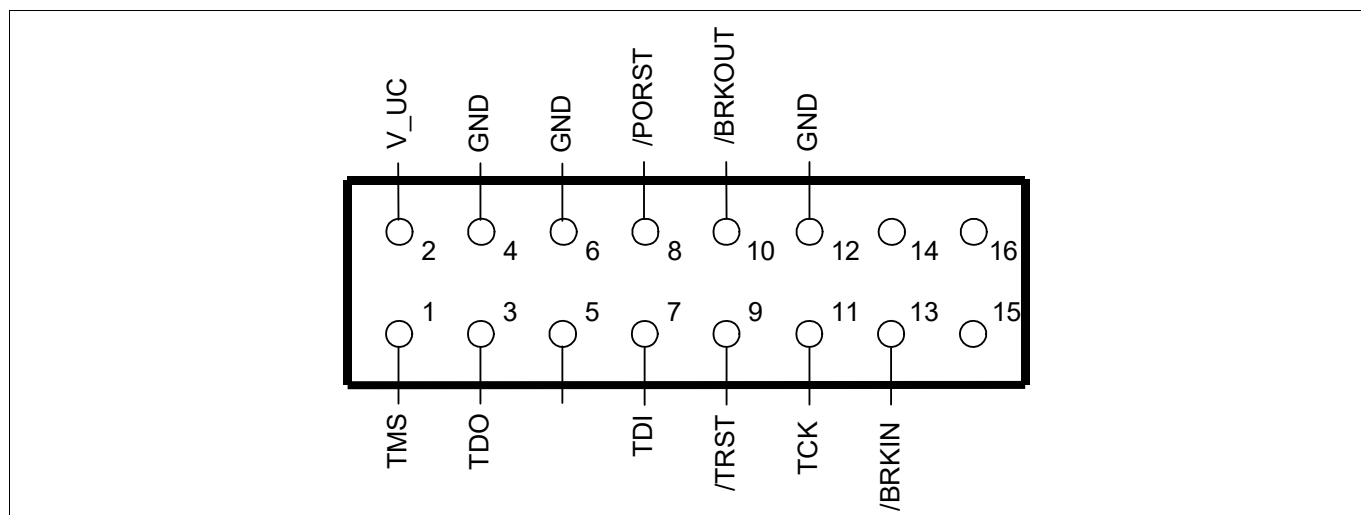


Figure 6-8 OCDS1 connector pinout (IDC16)

6.9 DAP connector pinout

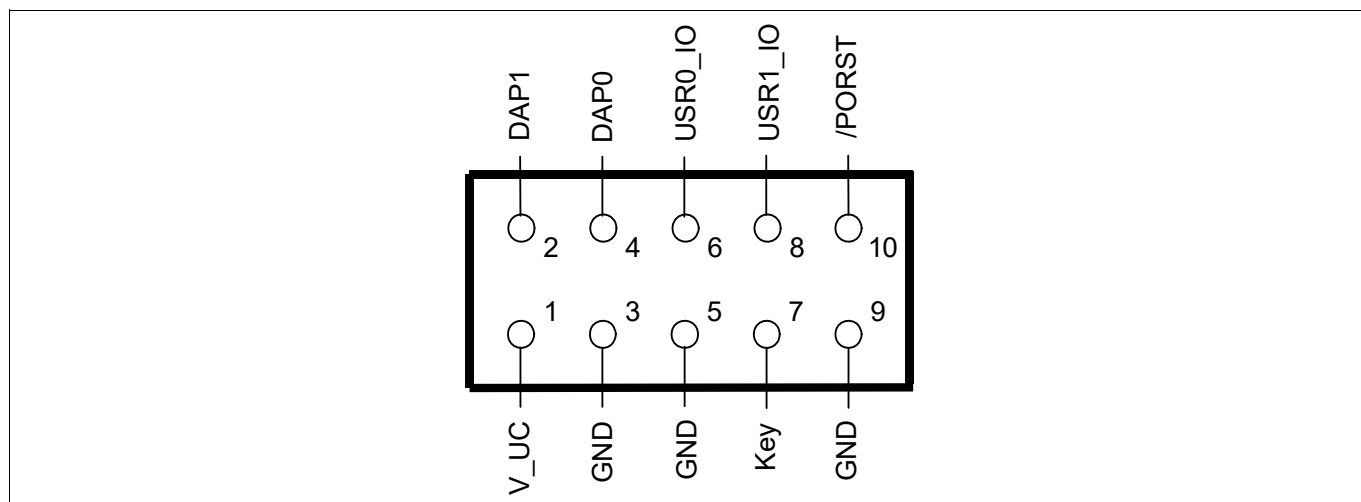


Figure 6-9 DAP connector pinout (Samtec FTSH10)

Connector Pin Assignment

6.10 ETK connector pinout

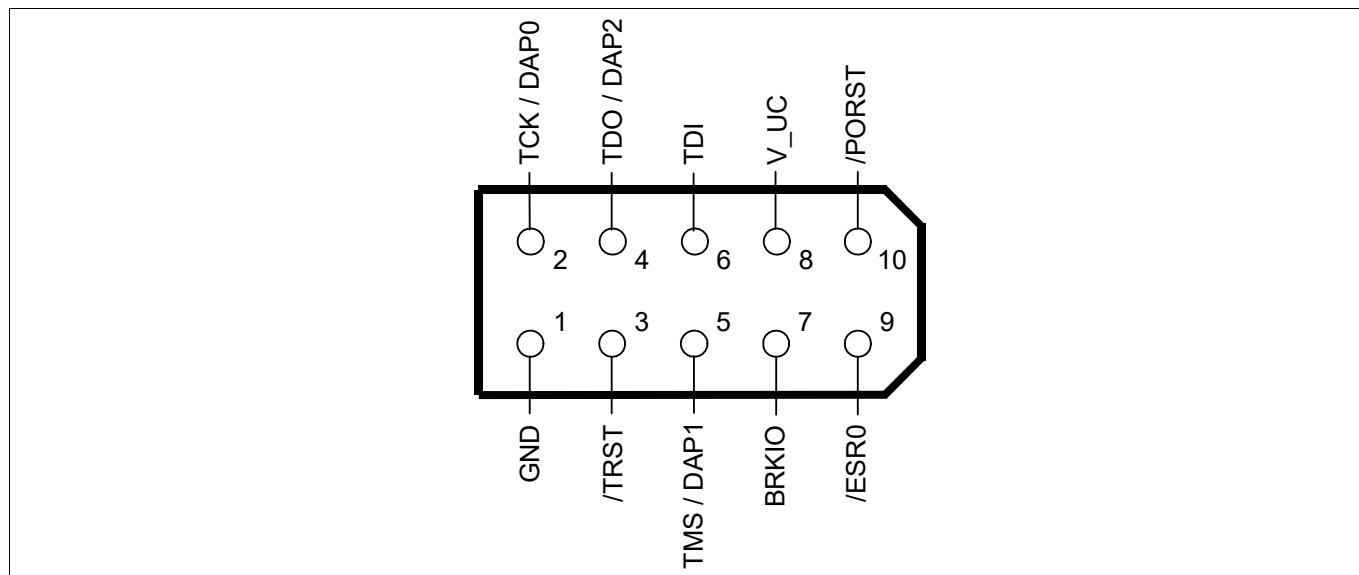


Figure 6-10 ETK connector pinout (Samtec TFM-105)

6.11 Ethernet miniWiggler power connector pinout

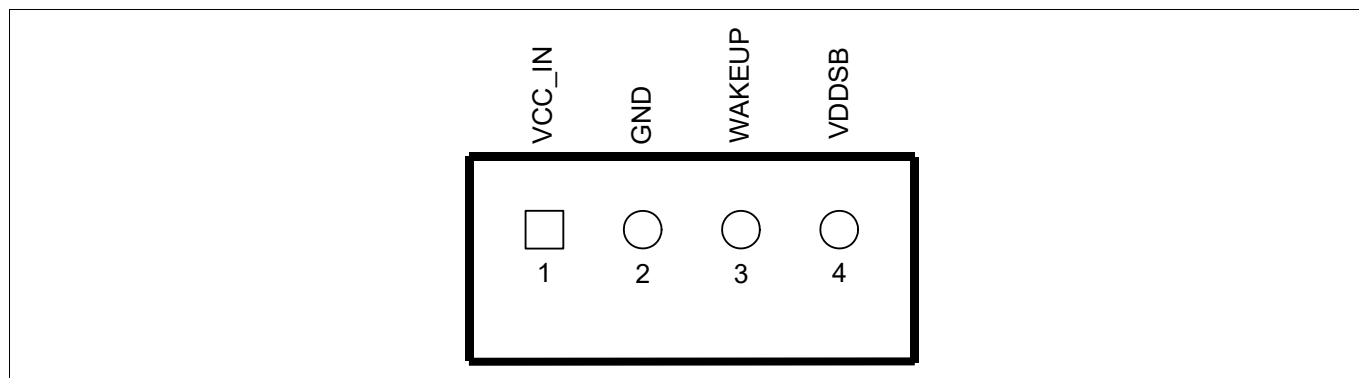


Figure 6-11 Ethernet miniWiggler connector pinout (JST B4B-PH)

## **7 Schematic and Layout**

### **7.1 Known problems**

#### **7.1.1 Known problems on TriBoard TC3X2 TH V1.0**

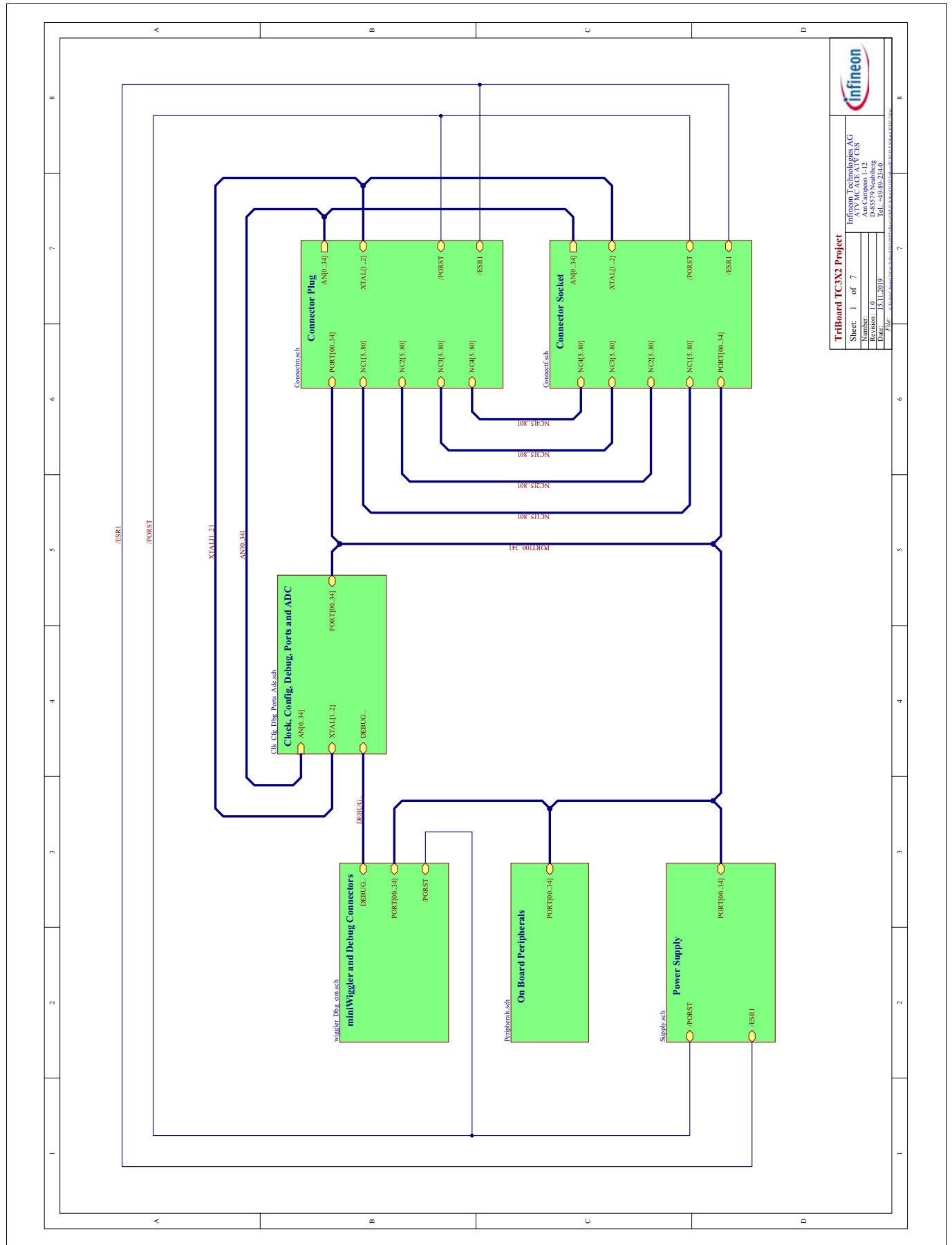
No problems known.

#### **7.1.2 Known problems on TriBoard TC3X2 V1.0**

No problems known.

### **7.2 Schematic**

### Schematic and Layout



**Figure 7-1 Schematic - Project**





Schematic and Layout

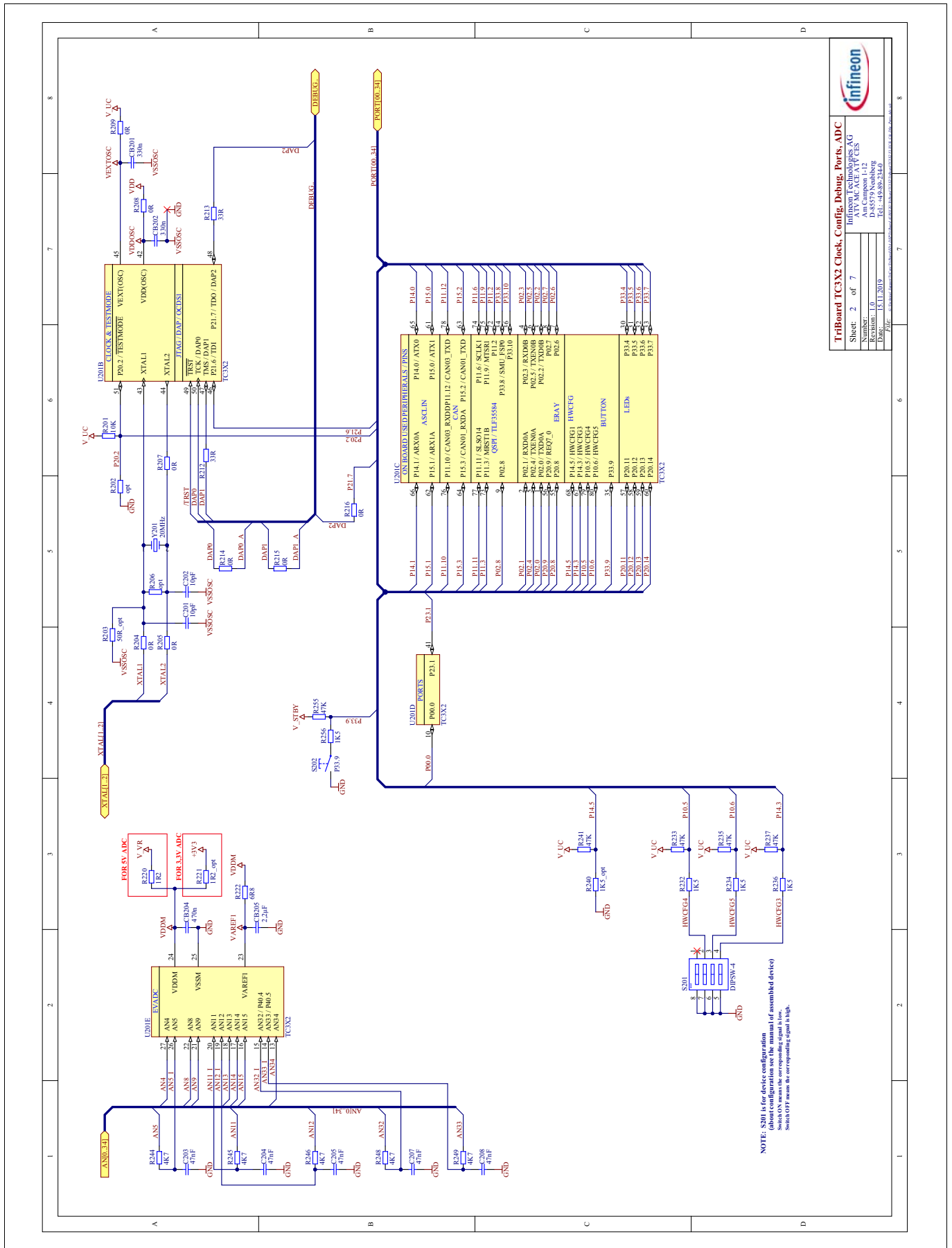


Figure 7-2 Schematic - Clock, Config, Debug, Ports and ADC

### Schematic and Layout

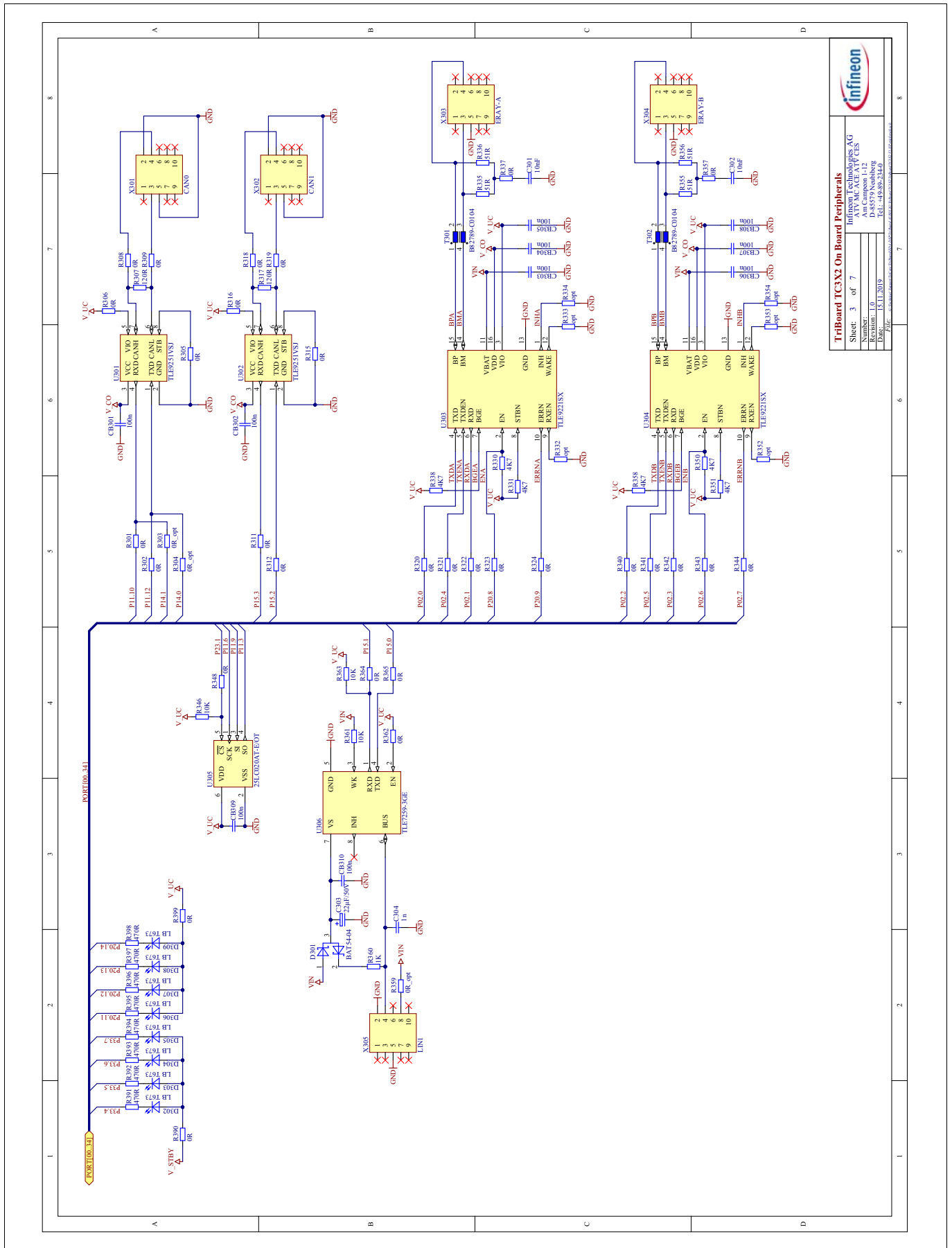


Figure 7-3 Schematic - On Board Peripherals

### Schematic and Layout

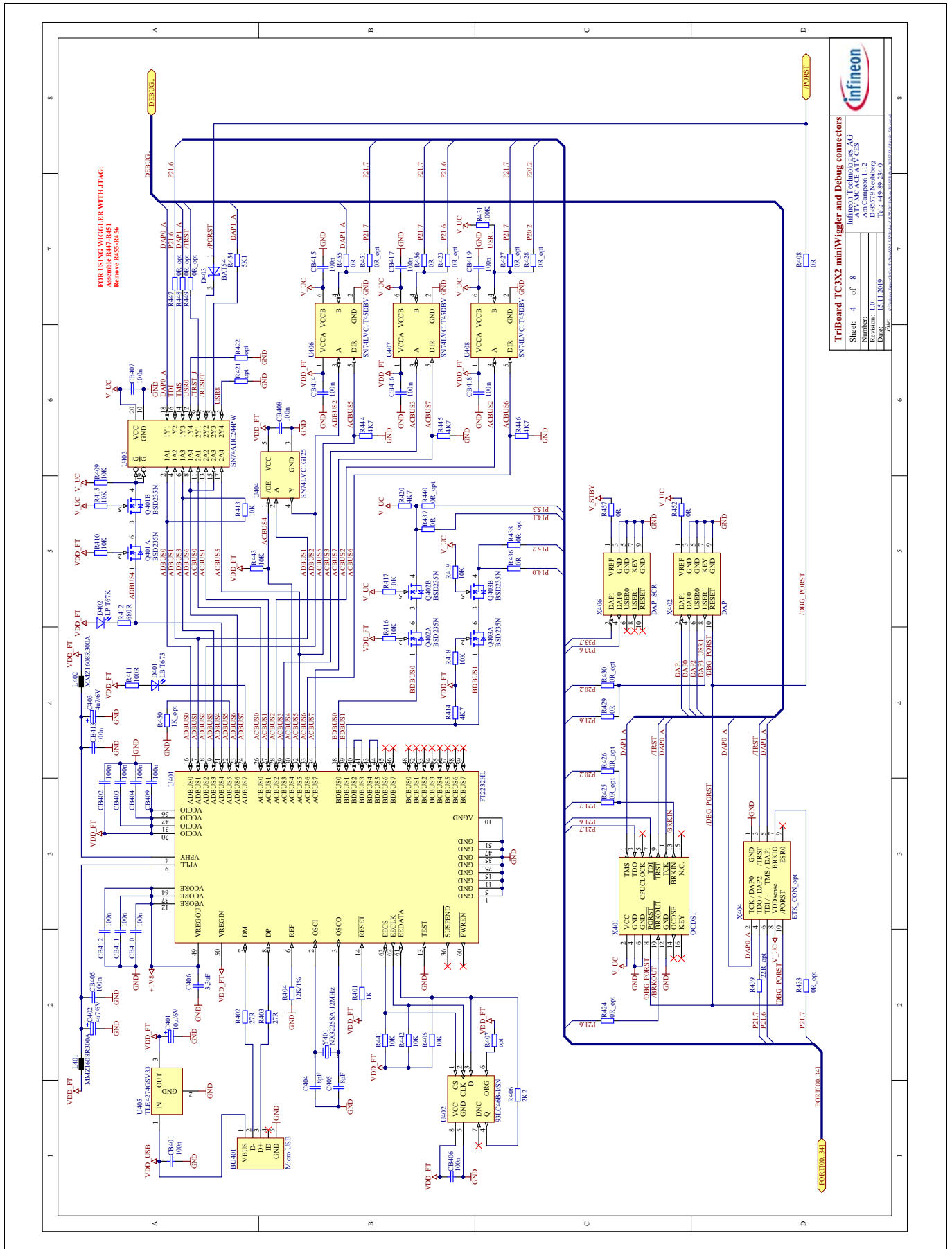
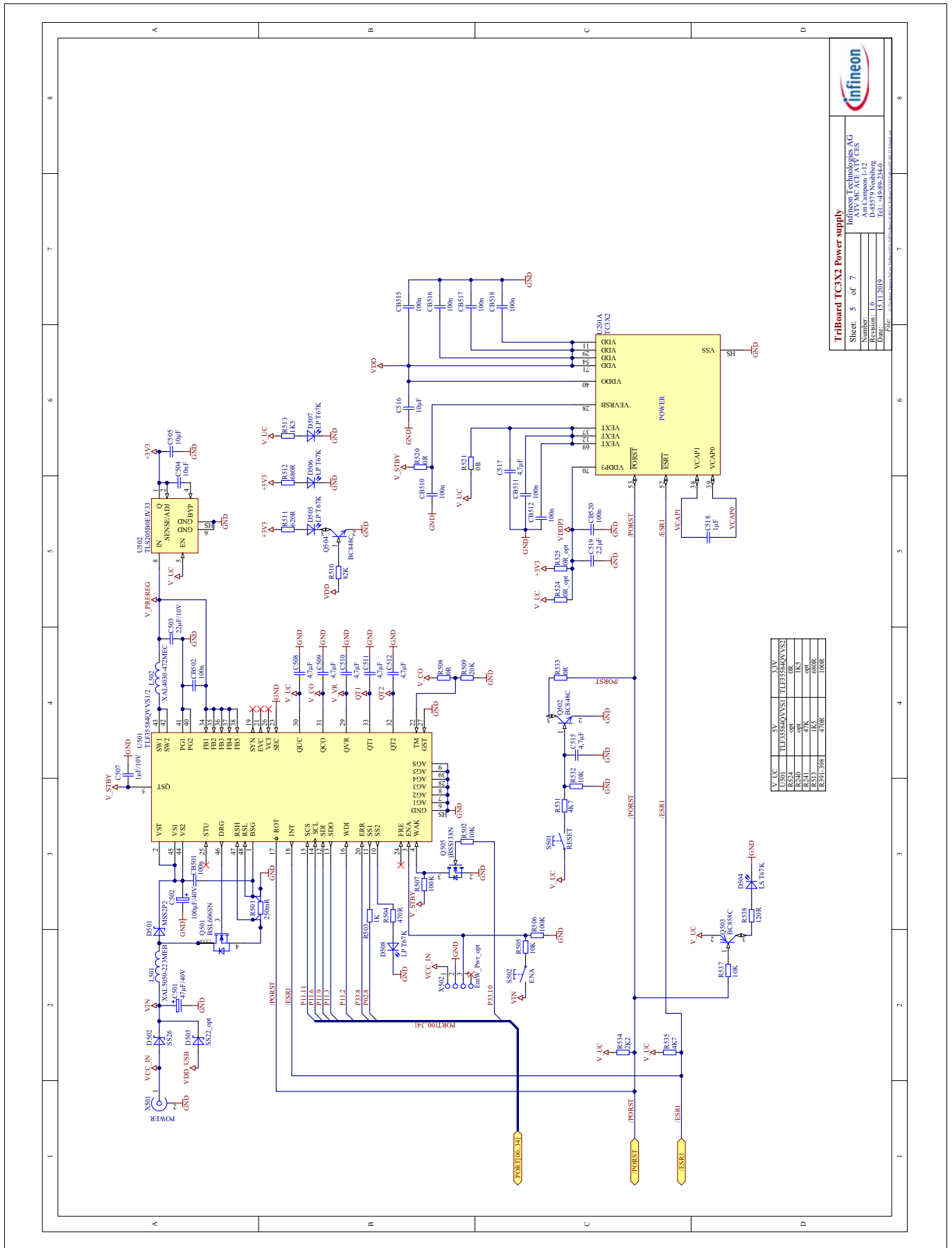


Figure 7-4 Schematic - miniWiggler JDS and Debug connectors

Schematic and Layout



**TriBoard TC3X2 Power supply**

Sheet:	5 of 7
Number:	13
Date:	15.11.2019
Author:	Antoine G. B. / AG
Reviewer:	Annamaria G. / AG
Version:	1.12
File:	TC3X2_V1.0_PwrSupply.dwg
Project:	TC3X2_V1.0
Customer:	Infineon Technologies AG
Address:	Am Campeon 1-12
Postcode:	41064
City:	Munich
Country:	Germany
Phone:	+49-89-4565-2140
Fax:	+49-89-4565-2149

V.L.C	Q	R	C	S
V.L.C	U501	TLF5554VWS1	TLF5554VWS	3V3
R324		TLF5554VWS1	TLF5554VWS	OR
R240	opt			1K5
R311	opt			1K5
R312				600R
R313				600R
R314				100R
R315				100R
R316				100R
R317				100R
R318				100R
R319				100R
R320				100R
R321				100R
R322				100R
R323				100R
R324				100R
R325				100R
R326				100R
R327				100R
R328				100R
R329				100R
R330				100R
R331				100R
R332				100R
R333				100R
R334				100R
R335				100R
R336				100R
R337				100R
R338				100R
R339				100R
R340				100R
R341				100R
R342				100R
R343				100R
R344				100R
R345				100R
R346				100R
R347				100R
R348				100R
R349				100R
R350				100R
R351				100R
R352				100R
R353				100R
R354				100R
R355				100R
R356				100R
R357				100R
R358				100R
R359				100R
R360				100R
R361				100R
R362				100R
R363				100R
R364				100R
R365				100R
R366				100R
R367				100R
R368				100R
R369				100R
R370				100R
R371				100R
R372				100R
R373				100R
R374				100R
R375				100R
R376				100R
R377				100R
R378				100R
R379				100R
R380				100R
R381				100R
R382				100R
R383				100R
R384				100R
R385				100R
R386				100R
R387				100R
R388				100R
R389				100R
R390				100R
R391				100R
R392				100R
R393				100R
R394				100R
R395				100R
R396				100R
R397				100R
R398				100R
R399				100R
R400				100R
R401				100R
R402				100R
R403				100R
R404				100R
R405				100R
R406				100R
R407				100R
R408				100R
R409				100R
R410				100R
R411				100R
R412				100R
R413				100R
R414				100R
R415				100R
R416				100R
R417				100R
R418				100R
R419				100R
R420				100R
R421				100R
R422				100R
R423				100R
R424				100R
R425				100R
R426				100R
R427				100R
R428				100R
R429				100R
R430				100R
R431				100R
R432				100R
R433				100R
R434				100R
R435				100R
R436				100R
R437				100R
R438				100R
R439				100R
R440				100R
R441				100R
R442				100R
R443				100R
R444				100R
R445				100R
R446				100R
R447				100R
R448				100R
R449				100R
R450				100R
R451				100R
R452				100R
R453				100R
R454				100R
R455				100R
R456				100R
R457				100R
R458				100R
R459				100R
R460				100R
R461				100R
R462				100R
R463				100R
R464				100R
R465				100R
R466				100R
R467				100R
R468				100R
R469				100R
R470				100R
R471				100R
R472				100R
R473				100R
R474				100R
R475				100R
R476				100R
R477				100R
R478				100R
R479				100R
R480				100R
R481				100R
R482				100R
R483				100R
R484				100R
R485				100R
R486				100R
R487				100R
R488				100R
R489				100R
R490				100R
R491				100R
R492				100R
R493				100R
R494				100R
R495				100R
R496				100R
R497				100R
R498				100R
R499				100R
R500				100R
R501				100R
R502				100R
R503				100R
R504				100R
R505				100R
R506				100R
R507				100R
R508				100R
R509				100R
R510				100R
R511				100R
R512				100R
R513				100R
R514				100R
R515				100R
R516				100R
R517				100R
R518				100R
R519				100R
R520				100R
R521				100R
R522				100R
R523				100R
R524				100R
R525				100R
R526				100R
R527				100R
R528				100R
R529				100R
R530				100R
R531				100R
R532				100R
R533				100R
R534				100R
R535				100R
R536				100R
R537				100R
R538				100R
R539				100R
R540				100R
R541				100R
R542				100R
R543				100R
R544				100R
R545				100R
R546				100R
R547				100R
R548				100R
R549				100R
R550				100R
R551				100R
R552				100R
R553				100R
R554				100R
R555				100R
R556				100R
R557				100R
R558				100R
R559				100R
R560				100R
R561				100R
R562				100R
R563				100R
R564				100R
R565				100R
R566				100R
R567				100R
R568				100R
R569				100R
R570				100R
R571				100R
R572				100R
R573				100R
R574		</		

Schematic and Layout

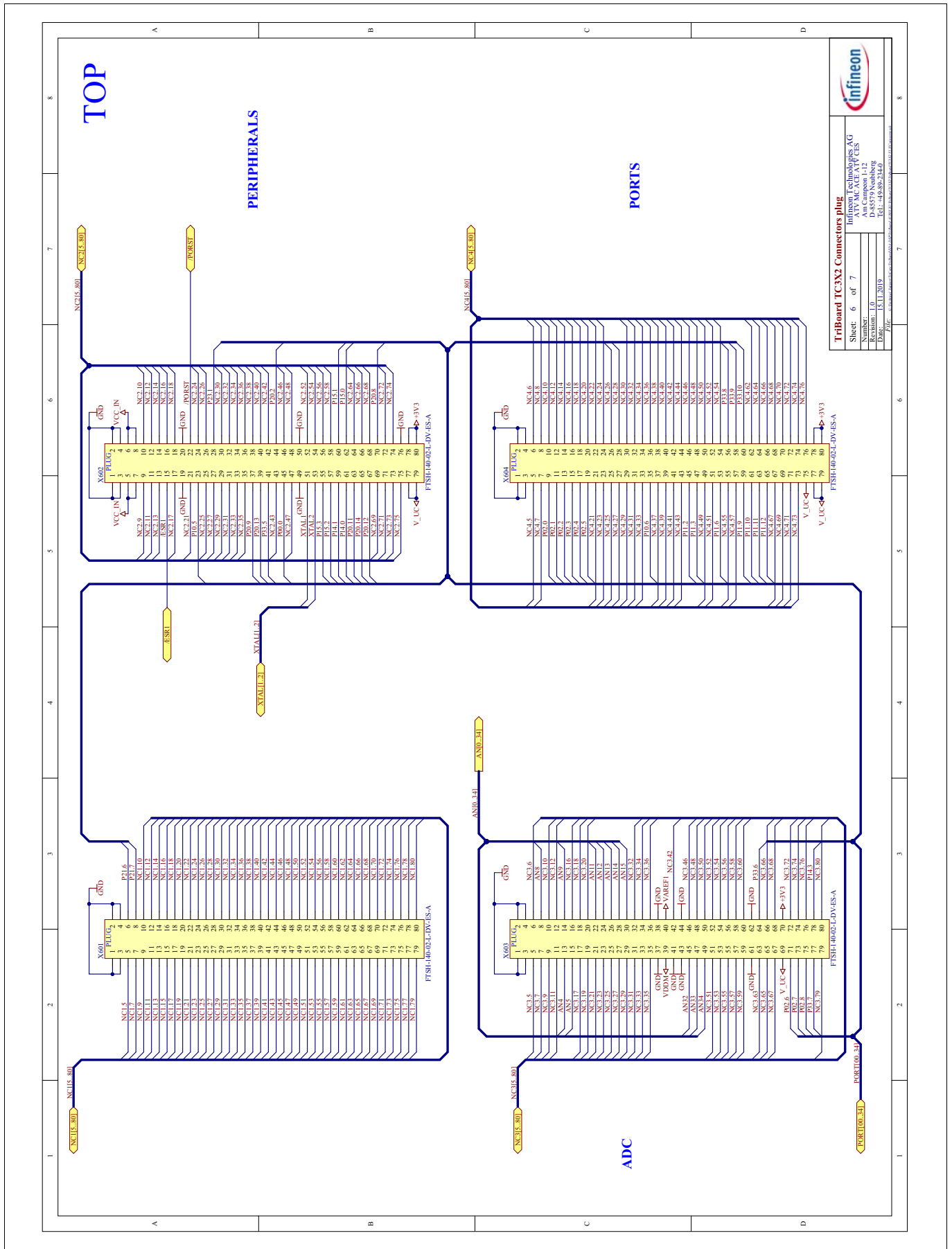


Figure 7-6 Schematic - Connectors (Plug)

### Schematic and Layout

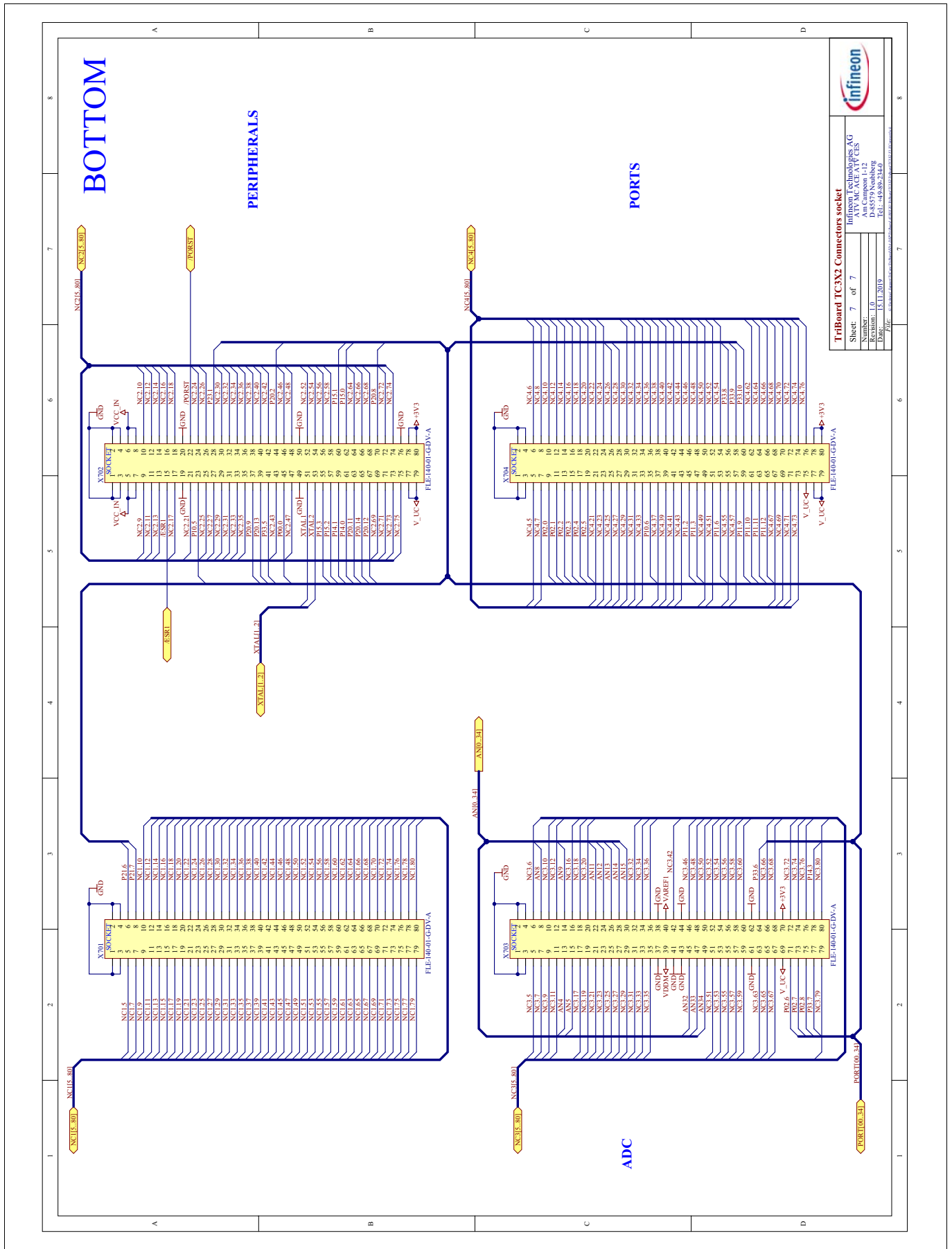


Figure 7-7 Schematic - Connectors (Socket)

Schematic and Layout

7.3 Layout

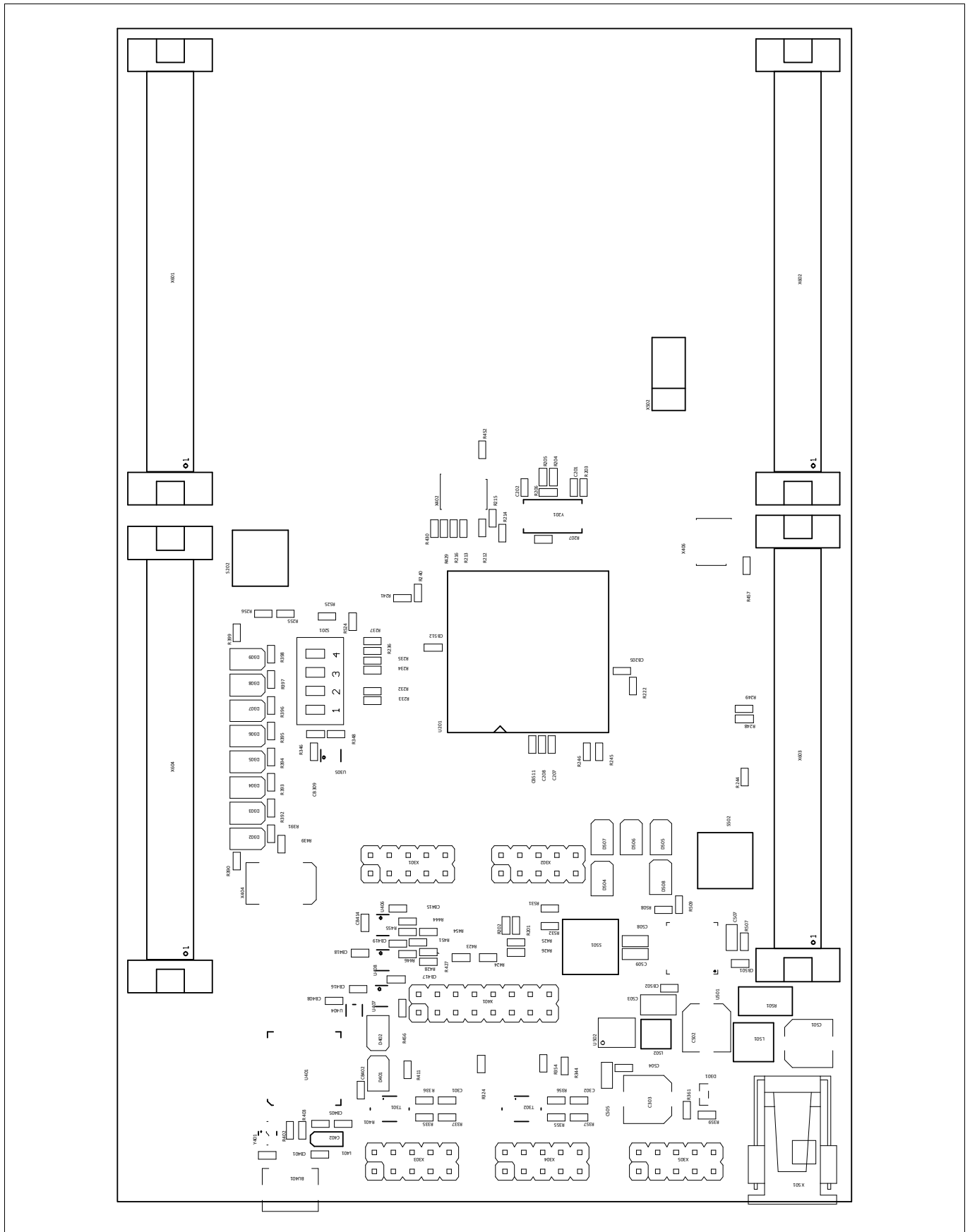


Figure 7-8 Component Plot Top Layer

Schematic and Layout

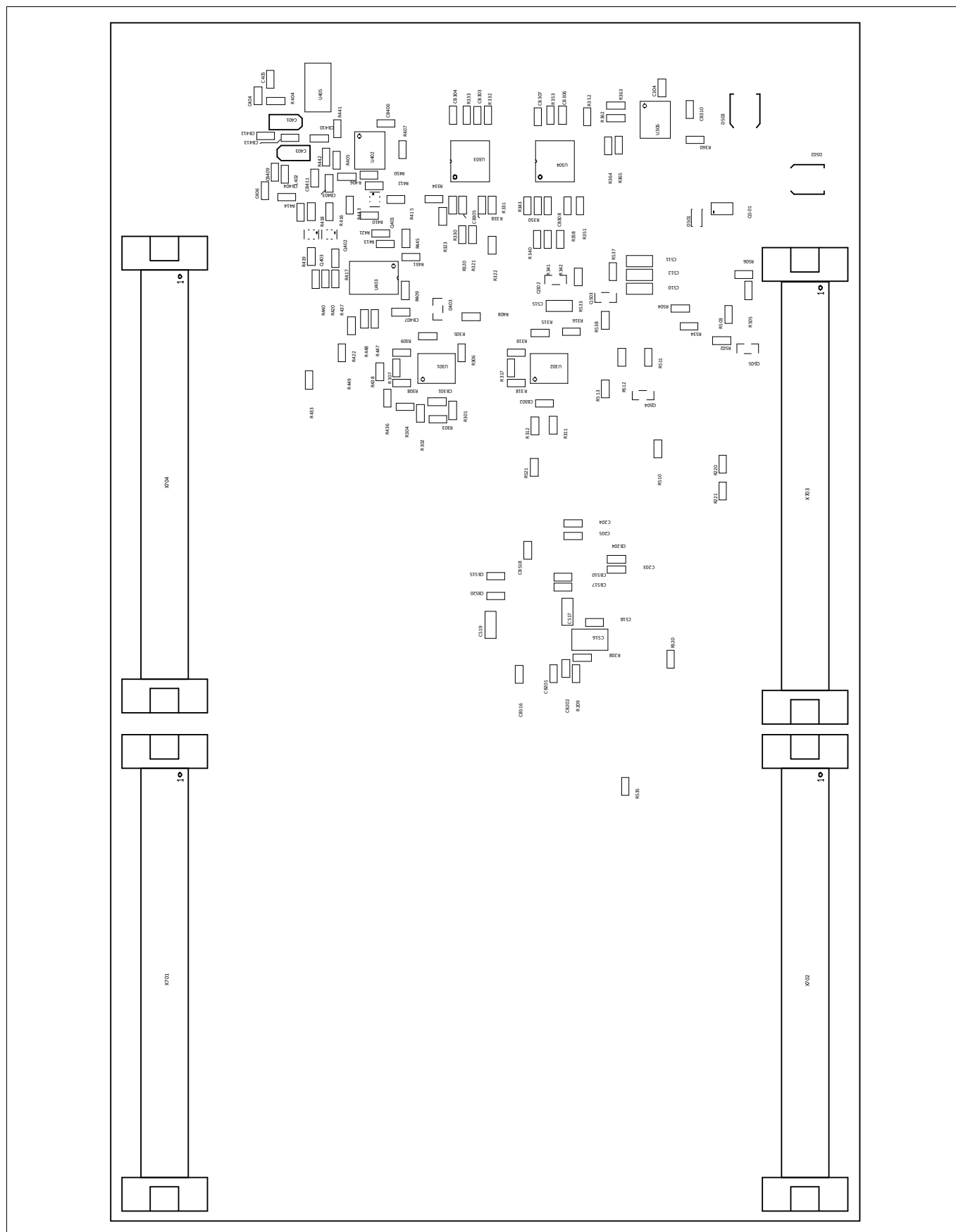


Figure 7-9 Component Plot Bottom Layer



### 7.4 Layout with Dimensioning

The following dimensions should be used for development of extension boards.

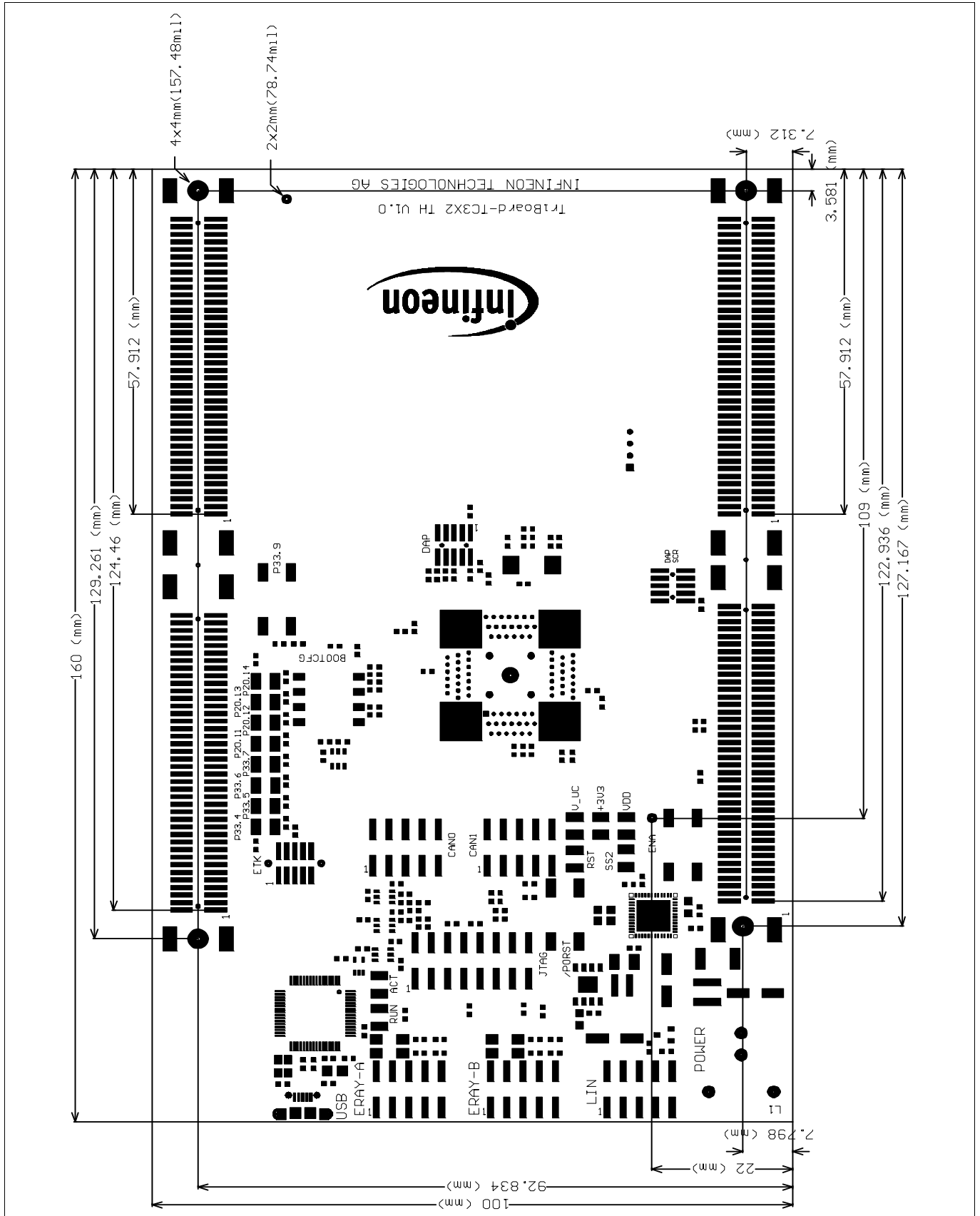


Figure 7-10 Dimensioning (mm)

Schematic and Layout

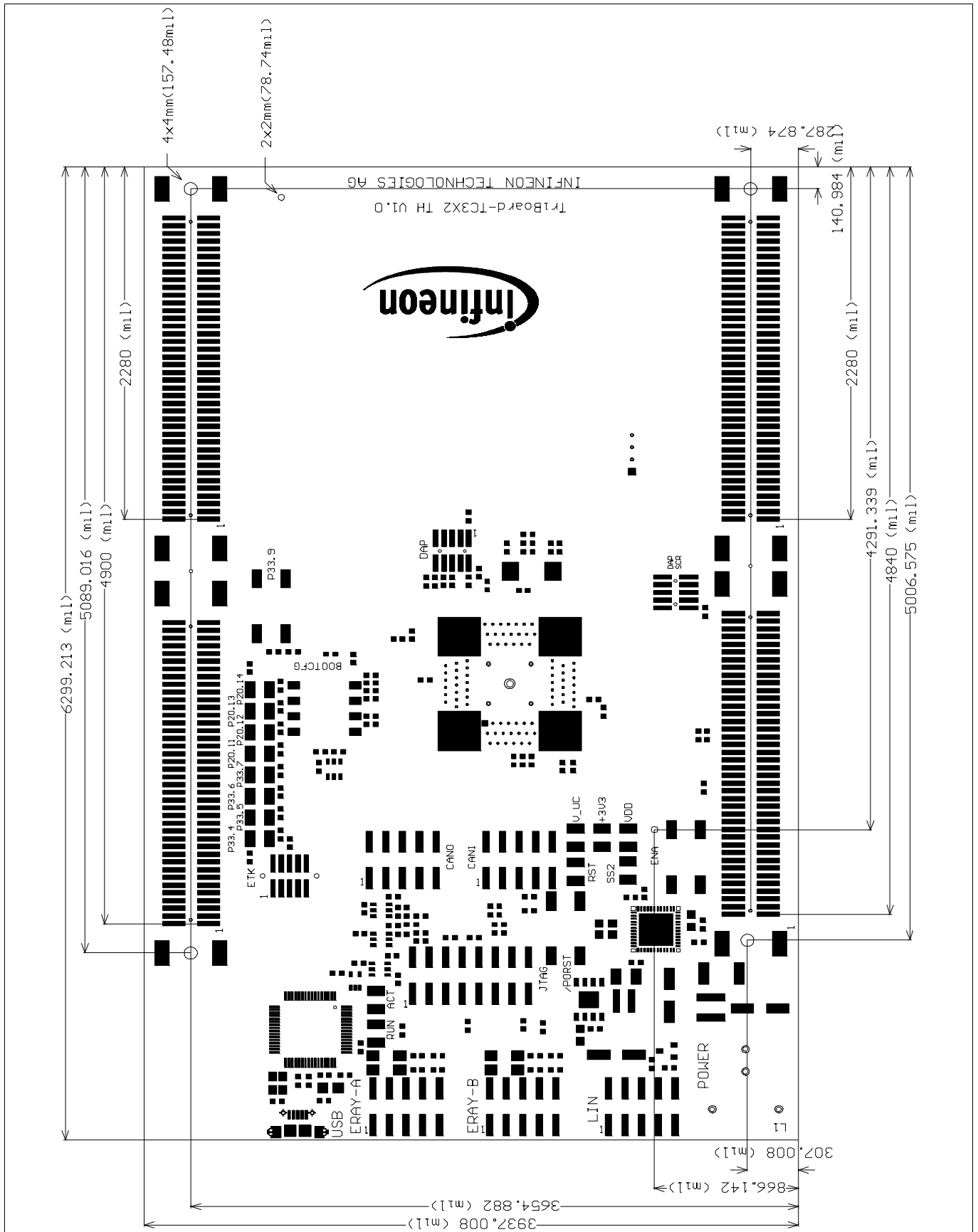


Figure 7-11 Dimensioning (mil)

The dimensioning is valid for all TriBoards.



---

**Revision History**

<b>Page or Item</b>	<b>Subjects (major changes since previous revision)</b>
<b>V1.0, 2020-05</b>	
	First version

#### Trademarks of Infineon Technologies AG

$\mu$ HVIC™,  $\mu$ IPM™,  $\mu$ PFC™, AU-ConvertIR™, AURIX™, C166™, CanPAK™, CIPOS™, CIPURSE™, CoolDP™, CoolGaN™, COOLIR™, CoolMOS™, CoolSET™, CoolSiC™, DAVE™, DI-POL™, DirectFET™, DrBlade™, EasyPIM™, EconoBRIDGE™, EconoDUAL™, EconoPACK™, EconoPIM™, EiceDRIVER™, eupec™, FCOS™, GaNpowIR™, HEXFET™, HITFET™, HybridPACK™, iMOTION™, IRAM™, ISOFACE™, IsoPACK™, LEDrivr™, LITIX™, MIPAQ™, ModSTACK™, my-d™, NovalithIC™, OPTIGA™, OptiMOS™, ORIGA™, PowIRaudio™, PowIRstage™, PrimePACK™, PrimeSTACK™, PROFET™, PRO-SIL™, RASIC™, REAL3™, SmartLEWIS™, SOLID FLASH™, SPOC™, StrongIRFET™, SupIRBuck™, TEMPFET™, TRENCHSTOP™, TriCore™, UHVIC™, XHP™, XMC™.

Trademarks updated November 2015

#### Other Trademarks

All referenced product or service names and trademarks are the property of their respective owners.

**Edition 2020-05**

**Published by**

**Infineon Technologies AG**

**81726 Munich, Germany**

**© 2020 Infineon Technologies AG.**

**All Rights Reserved.**

**Do you have a question about any aspect of this document?**

**Email: [erratum@infineon.com](mailto:erratum@infineon.com)**

**Document reference**

**Doc\_Number**

#### IMPORTANT NOTICE

The information given in this document shall in no event be regarded as a guarantee of conditions or characteristics ("Beschaffheitsgarantie").

With respect to any examples, hints or any typical values stated herein and/or any information regarding the application of the product, Infineon Technologies hereby disclaims any and all warranties and liabilities of any kind, including without limitation warranties of non-infringement of intellectual property rights of any third party.

In addition, any information given in this document is subject to customer's compliance with its obligations stated in this document and any applicable legal requirements, norms and standards concerning customer's products and any use of the product of Infineon Technologies in customer's applications.

The data contained in this document is exclusively intended for technically trained staff. It is the responsibility of customer's technical departments to evaluate the suitability of the product for the intended application and the completeness of the product information given in this document with respect to such application.

For further information on technology, delivery terms and conditions and prices, please contact the nearest Infineon Technologies Office ([www.infineon.com](http://www.infineon.com)).

#### WARNINGS

Due to technical requirements products may contain dangerous substances. For information on the types in question please contact your nearest Infineon Technologies office.

Except as otherwise explicitly approved by Infineon Technologies in a written document signed by authorized representatives of Infineon Technologies, Infineon Technologies' products may not be used in any applications where a failure of the product or any consequences of the use thereof can reasonably be expected to result in personal injury.