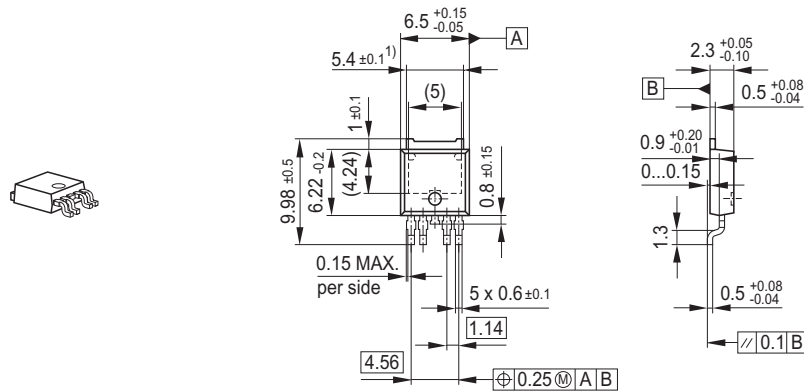


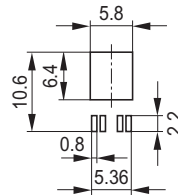
Package Outline



1) $+0.2$ mm mold flash.
All metal surfaces tin plated, except area of cut.

Foot Print

Soldering Type: Reflow Soldering



Marking Layout

on demand

Tape and Reel

Reel $\varnothing 330$ mm: 2500 Pieces/Reel
Reels/Box: 1

