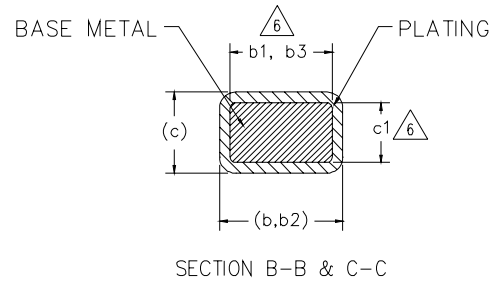
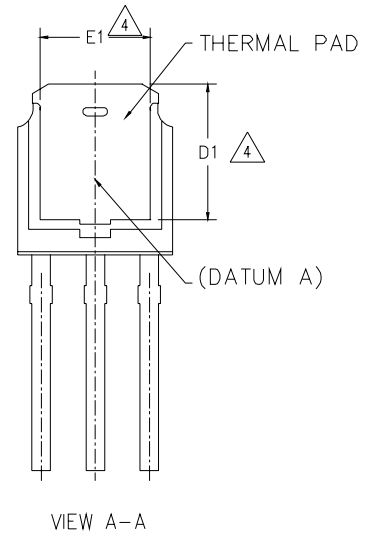
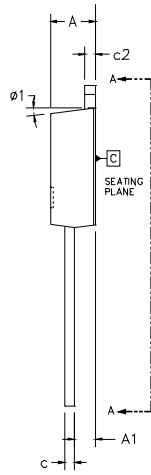
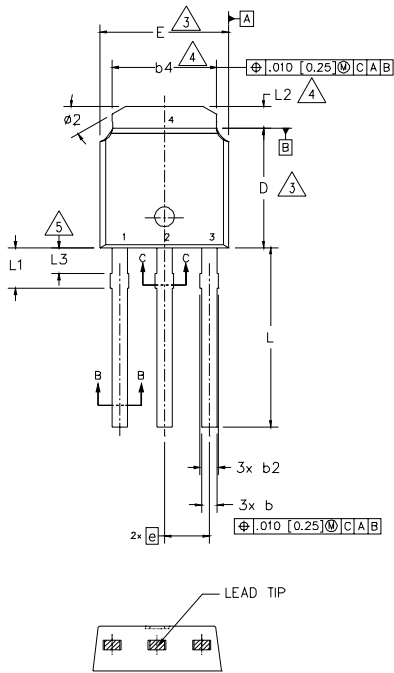


# I-Pak (TO-251AA) Package Outline

Dimensions are shown in millimeters (inches)



**NOTES:**

- 1.- DIMENSIONING AND TOLERANCING PER ASME Y14.5M-1994
- 2.- DIMENSION ARE SHOWN IN INCHES [MILLIMETERS].
3. DIMENSION D & E DO NOT INCLUDE MOLD FLASH. MOLD FLASH SHALL NOT EXCEED .005 [0.13] PER SIDE. THESE DIMENSIONS ARE MEASURED AT THE OUTMOST EXTREMES OF THE PLASTIC BODY.
4. THERMAL PAD CONTOUR OPTION WITHIN DIMENSION b4, L2, E1 & D1.
5. LEAD DIMENSION UNCONTROLLED IN L3.
6. DIMENSION b1, b3 & c1 APPLY TO BASE METAL ONLY.
- 7.- OUTLINE CONFORMS TO JEDEC OUTLINE TO-251AA (Date 06/02).
- 8.- CONTROLLING DIMENSION : INCHES.

| SYM-<br>BO-<br>L | DIMENSIONS  |      |          |      | NOTES |
|------------------|-------------|------|----------|------|-------|
|                  | MILLIMETERS |      | INCHES   |      |       |
|                  | MIN.        | MAX. | MIN.     | MAX. |       |
| A                | 2.18        | 2.39 | .086     | .094 |       |
| A1               | 0.89        | 1.14 | .035     | .045 |       |
| b                | 0.64        | 0.89 | .025     | .035 |       |
| b1               | 0.65        | 0.79 | .025     | .031 | 6     |
| b2               | 0.76        | 1.14 | .030     | .045 |       |
| b3               | 0.76        | 1.04 | .030     | .041 | 6     |
| b4               | 4.95        | 5.46 | .195     | .215 | 4     |
| c                | 0.46        | 0.61 | .018     | .024 |       |
| c1               | 0.41        | 0.56 | .016     | .022 | 6     |
| c2               | 0.46        | 0.89 | .018     | .035 |       |
| D                | 5.97        | 6.22 | .235     | .245 | 3     |
| D1               | 5.21        | -    | .205     | -    | 4     |
| E                | 6.35        | 6.73 | .250     | .265 | 3     |
| E1               | 4.32        | -    | .170     | -    | 4     |
| e                | 2.29 BSC    |      | .090 BSC |      |       |
| L                | 8.89        | 9.65 | .350     | .380 |       |
| L1               | 1.91        | 2.29 | .045     | .090 |       |
| L2               | 0.89        | 1.27 | .035     | .050 | 4     |
| L3               | 1.14        | 1.52 | .045     | .060 | 5     |
| phi 1            | 0°          | 15°  | 0°       | 15°  |       |
| phi 2            | 25°         | 35°  | 25°      | 35°  |       |

LEAD ASSIGNMENTS

HEXFET

- 1.- GATE
- 2.- DRAIN
- 3.- SOURCE
- 4.- DRAIN